

# CW 65-EF

CW 65-EF



**REYNAERS**  
aluminium

**Edition** 08/2010 (based on 089.C68B.00)





### CW 65-EF

- 1 Internal structure
- 2 Fixed elements
- 3 Opening elements
- 4 Division in fixed frame
- 5 Junctions

### Connections with other systems

# CW 65-EF

Systemoverzicht  
Aperçu du système  
System overview  
Systemübersicht



CW 65-EF

---

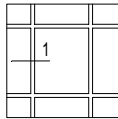


## CW 65-EF



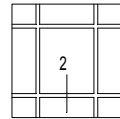
### 1 Internal structure

#### Vertical internal structure



CW 65-EF - 002

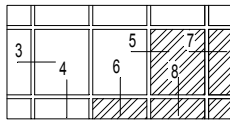
#### Horizontal internal structure



CW 65-EF - 003

### 2 Fixed elements

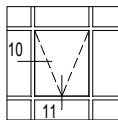
#### Fixed panels



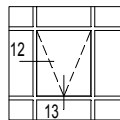
CW 65-EF - 004

### 3 Opening elements

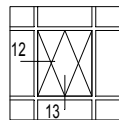
#### Windows



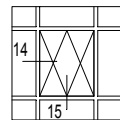
CW 65-EF - 020



CW 65-EF - 021



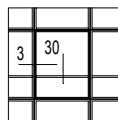
CW 65-EF - 021



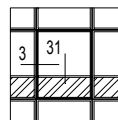
CW 65-EF - 022

### 4 Division in fixed frame

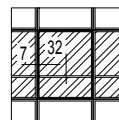
#### Fixed elements



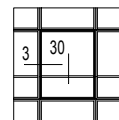
CW 65-EF - 031



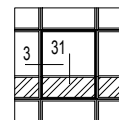
CW 65-EF - 031



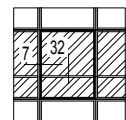
CW 65-EF - 032



CW 65-EF/HI - 033



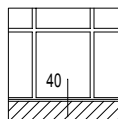
CW 65-EF/HI - 033



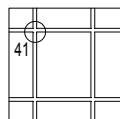
CW 65-EF/HI - 034

### 5 Junctions

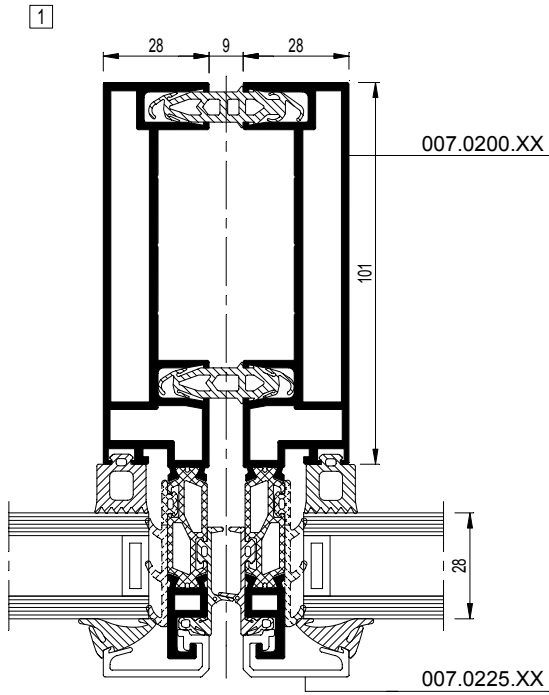
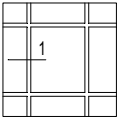
#### Anchoring



CW 65-EF - 051



CW 65-EF - 052

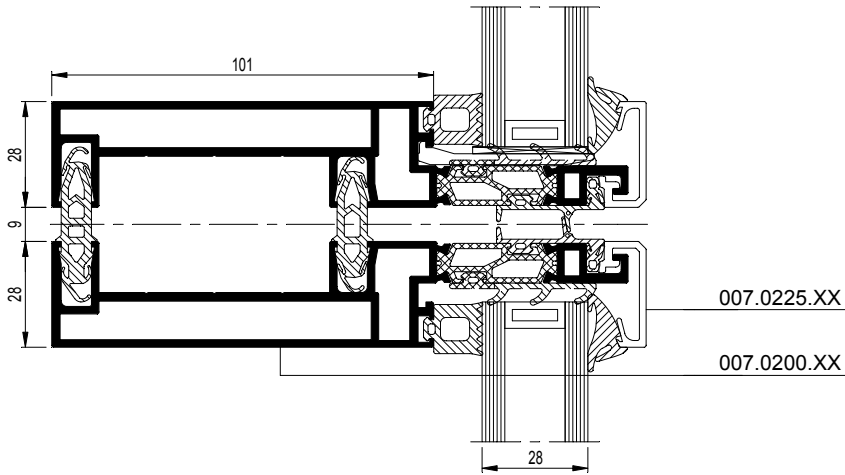


CW65-EF-001001.dxf  
CW65-EF-001001.dwg

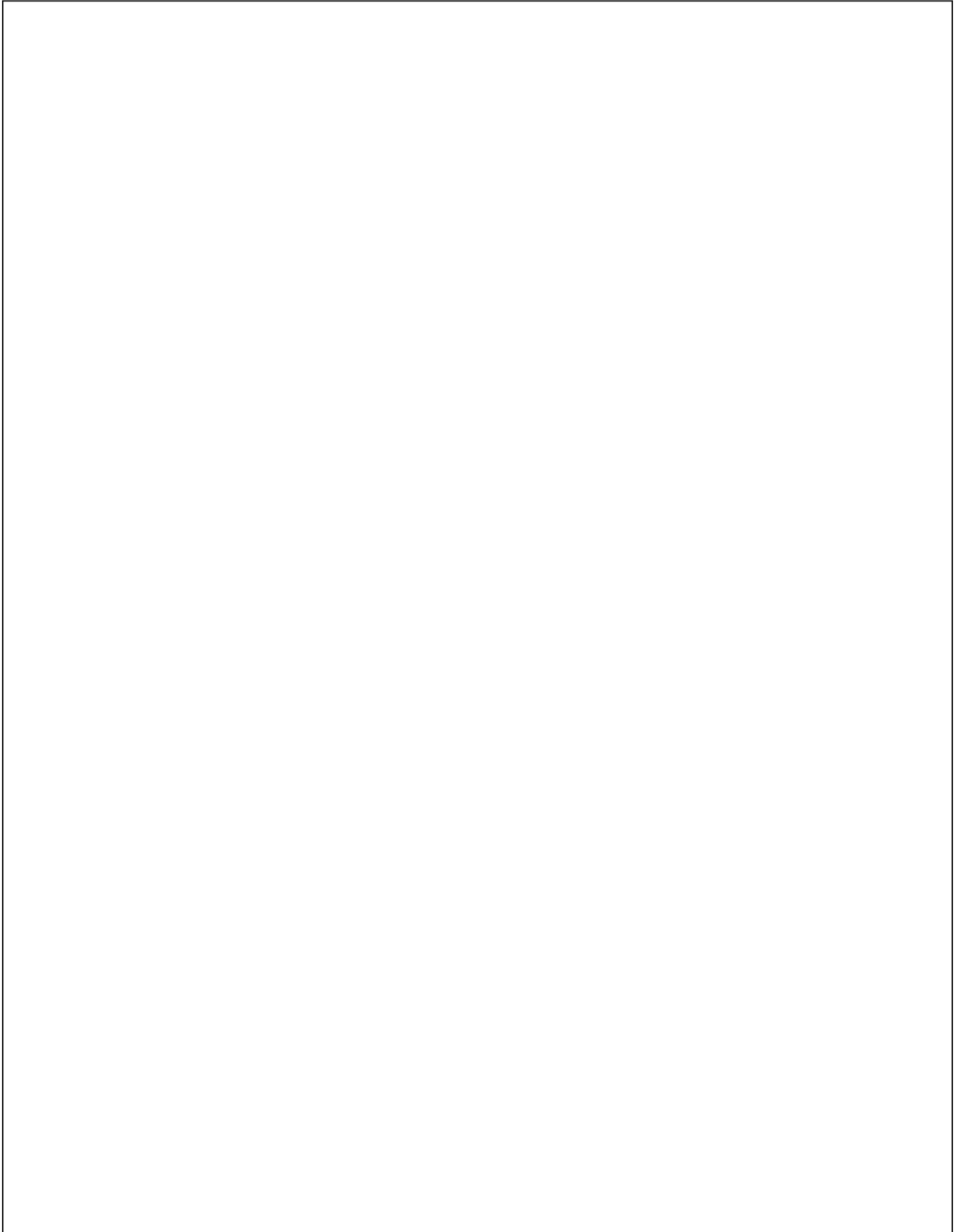
	2	



2



CW65-EF-001002.dxf  
CW65-EF-001002.dwg



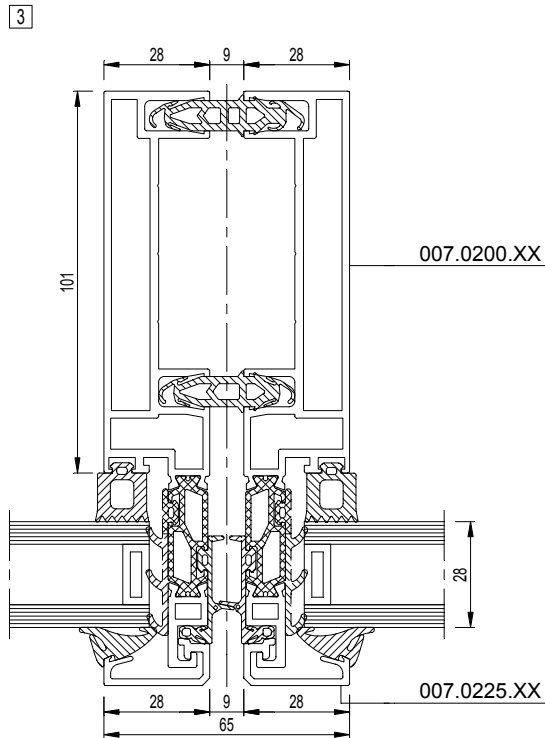


# CW 65-EF

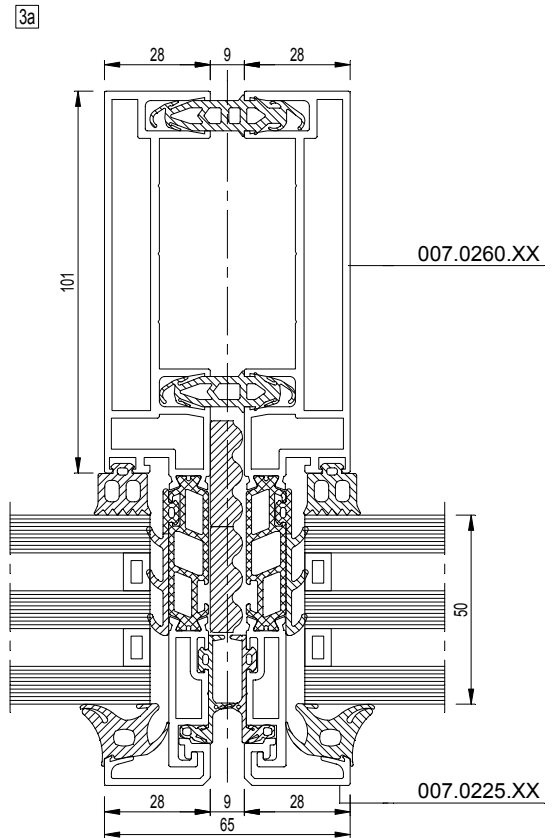
Vaste elementen - Vaste panelen  
 Eléments fixes - Panneaux fixes  
 Fixed elements - Fixed panels  
 Feste Elemente - Feste Füllungen



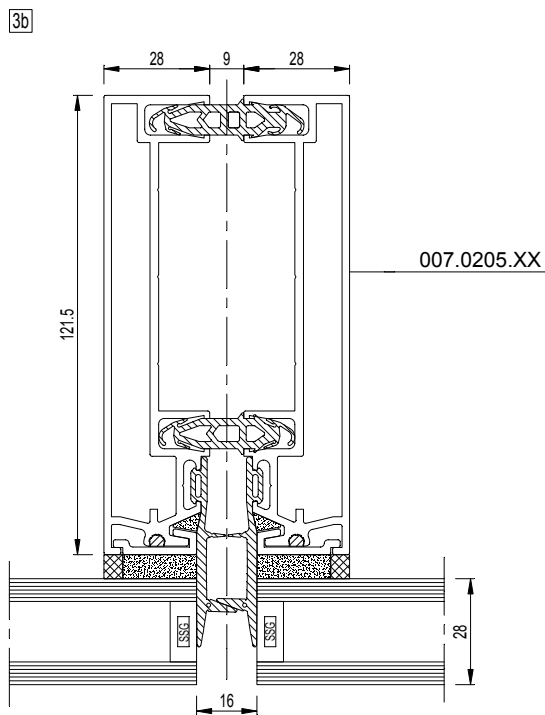
3	4	5	6	7



CW65-EF-003001.dxf  
 CW65-EF-003001.dwg



CW65-EF-003002.dxf  
 CW65-EF-003002.dwg

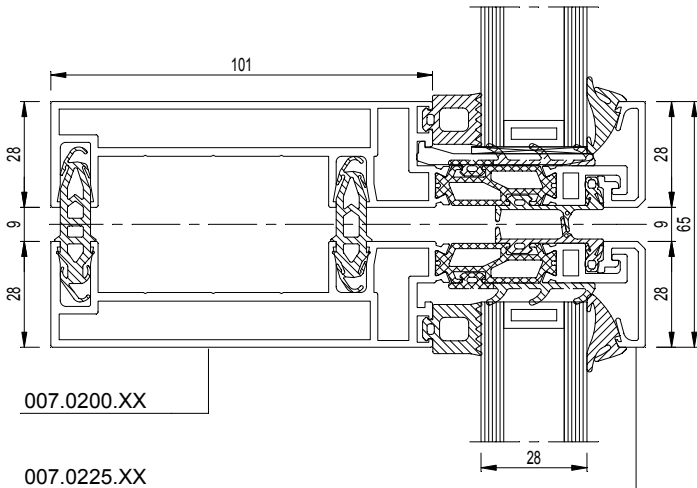


CW65-EF-003003.dxf  
 CW65-EF-003003.dwg



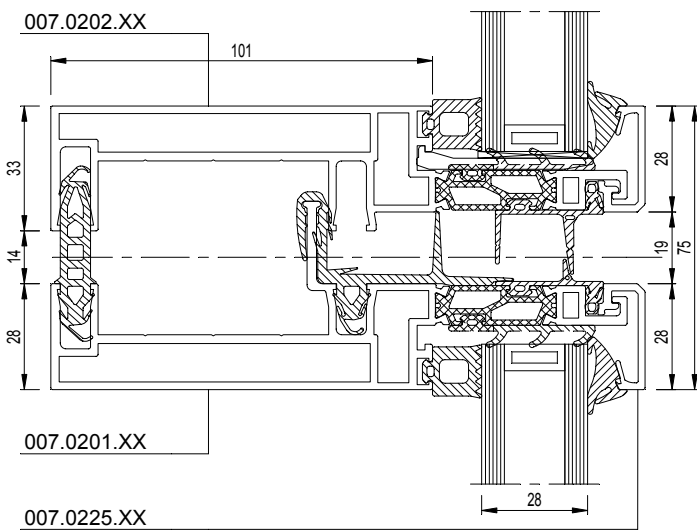
	3		5		
	4	6	6		

4



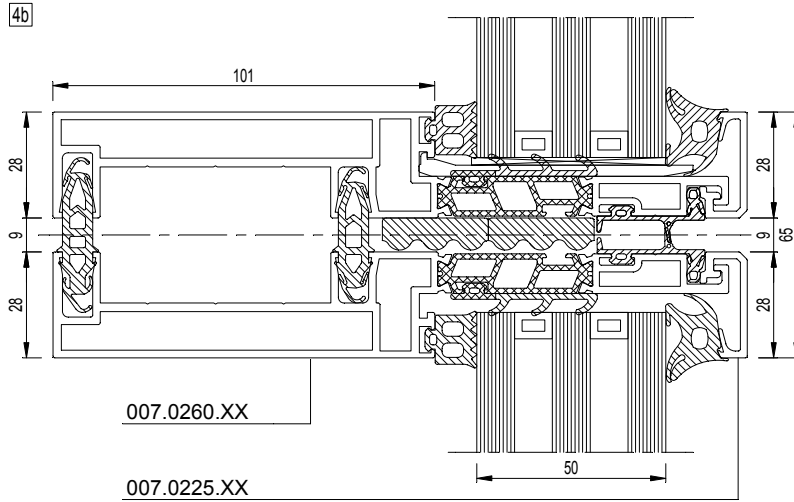
CW65-EF-004001.dxf  
 CW65-EF-004001.dwg

4a

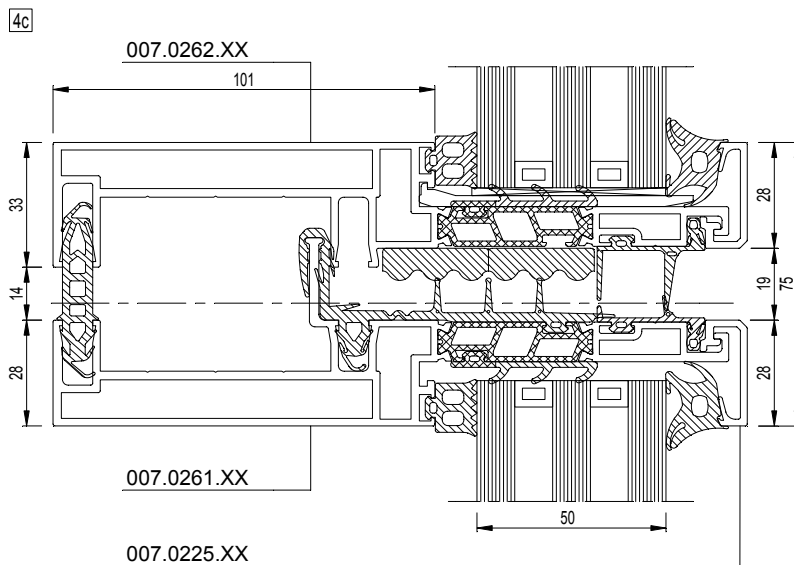


CW65-EF-004002.dxf  
 CW65-EF-004002.dwg

3	4	5	6	



CW65-EF-004003.dxf  
 CW65-EF-004003.dwg



CW65-EF-004004.dxf  
 CW65-EF-004004.dwg

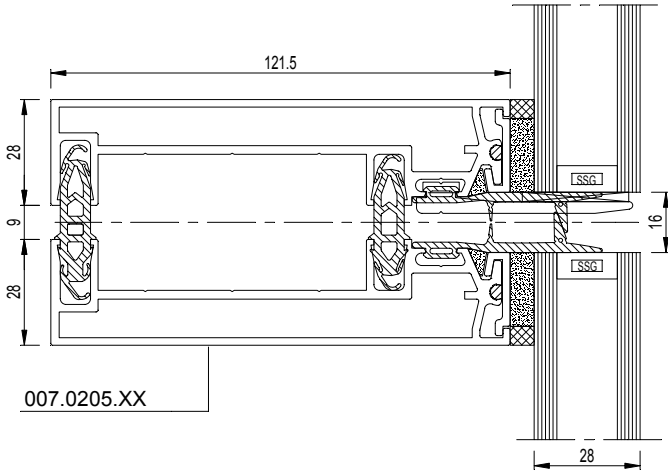
# CW 65-EF/SG

Vaste elementen - Vaste panelen  
Eléments fixes - Panneaux fixes  
Fixed elements - Fixed panels  
Feste Elemente - Feste Füllungen



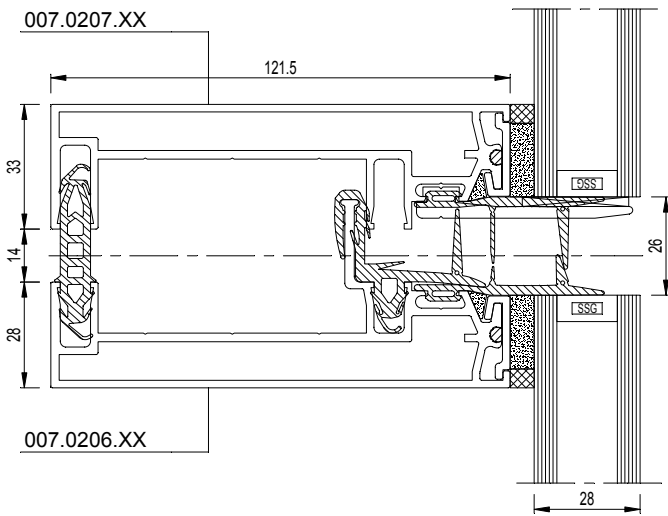
3	4	5	6	7

4d



CW65-EF-004005.dxf  
CW65-EF-004005.dwg

4e

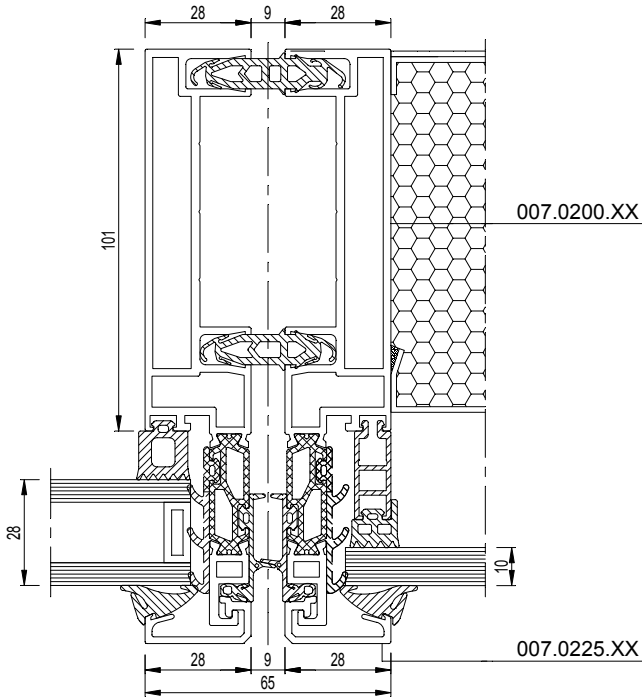


CW65-EF-004006.dxf  
CW65-EF-004006.dwg



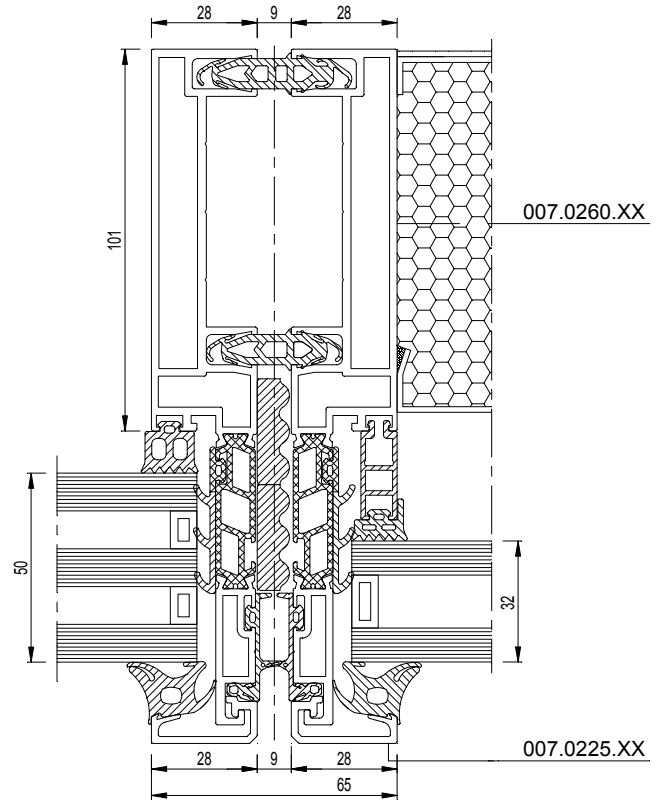
3	4	5	6	6

5



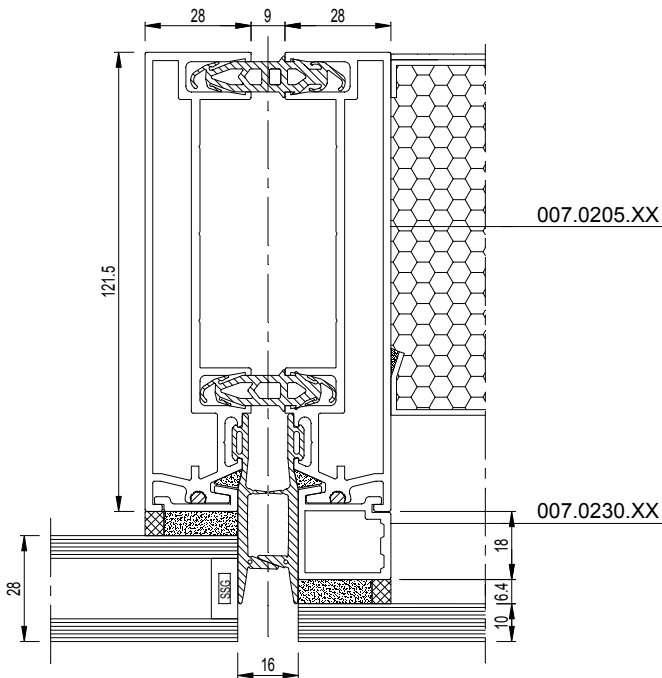
CW65-EF-005001.dxf  
 CW65-EF-005001.dwg

5a



CW65-EF-005002.dxf  
 CW65-EF-005002.dwg

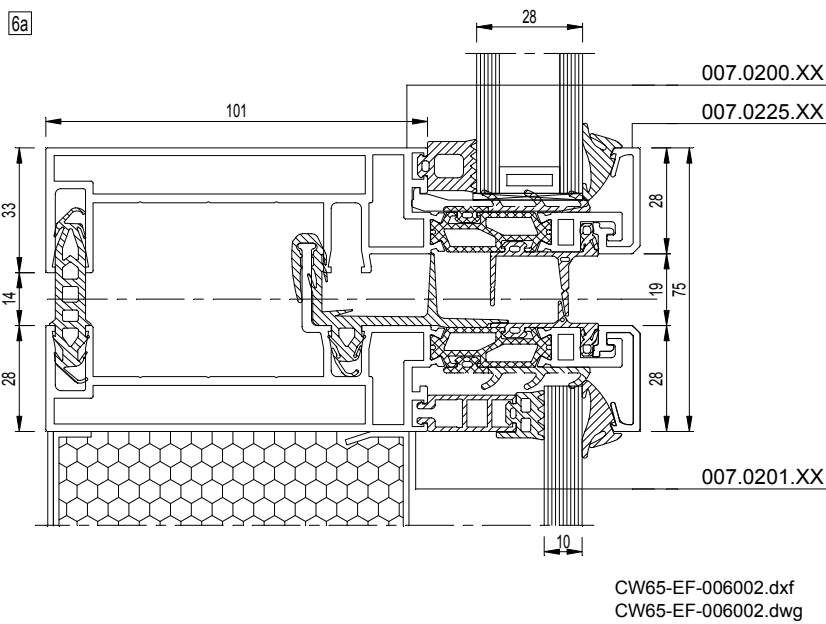
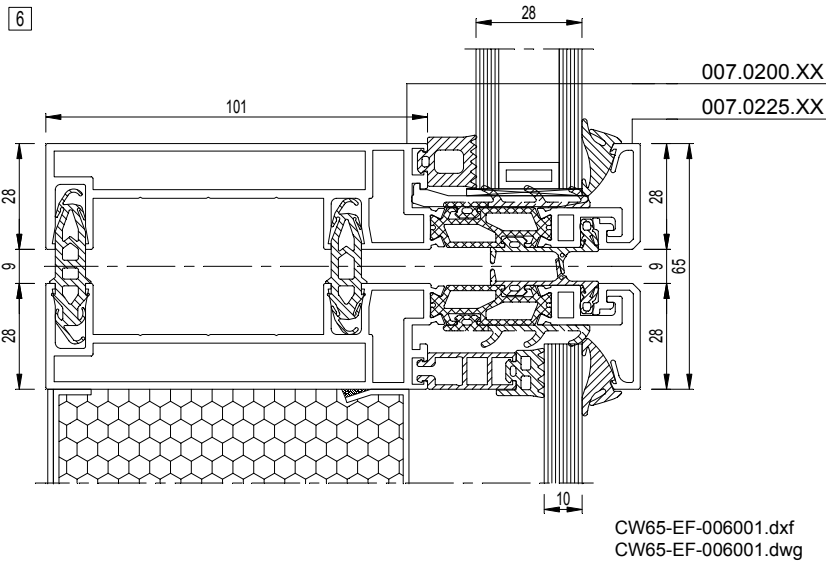
5b



CW65-EF-005003.dxf  
 CW65-EF-005003.dwg

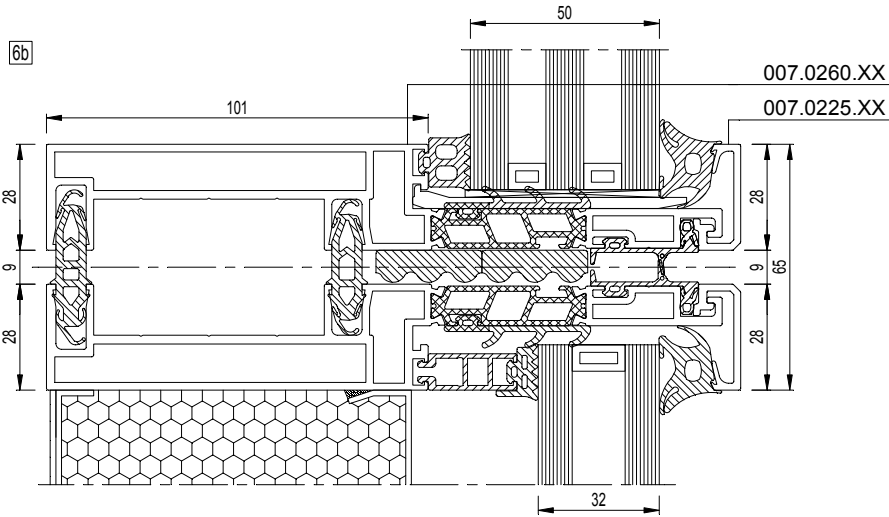


3	4	5	6	6

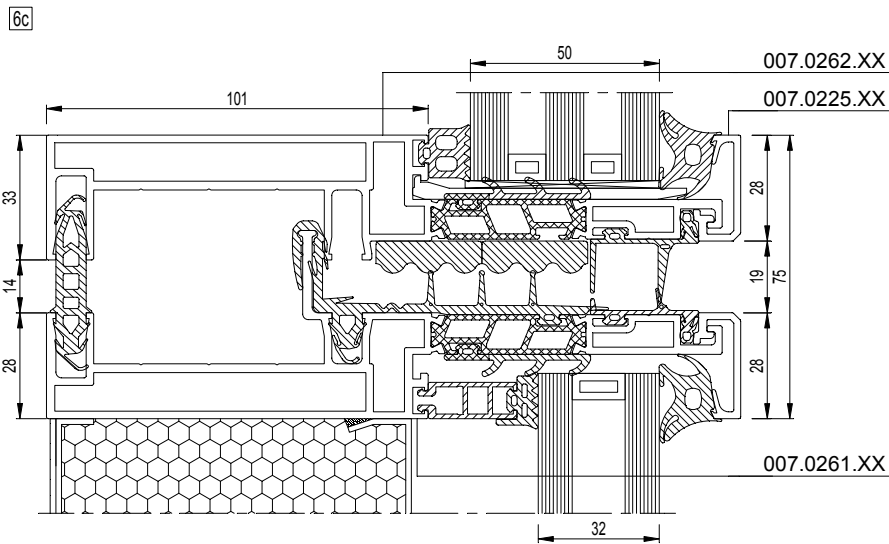




3	4	5	6	



CW65-EF-006003.dxf  
 CW65-EF-006003.dwg



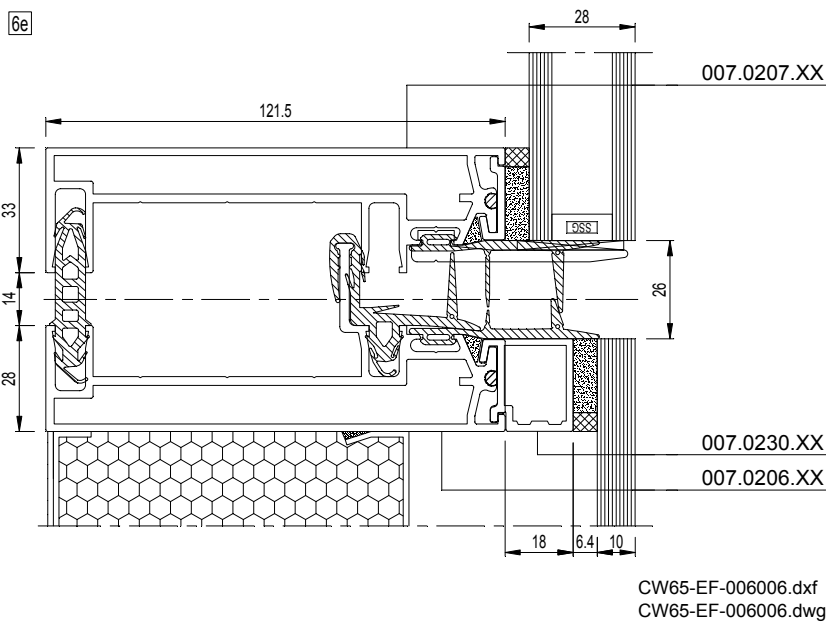
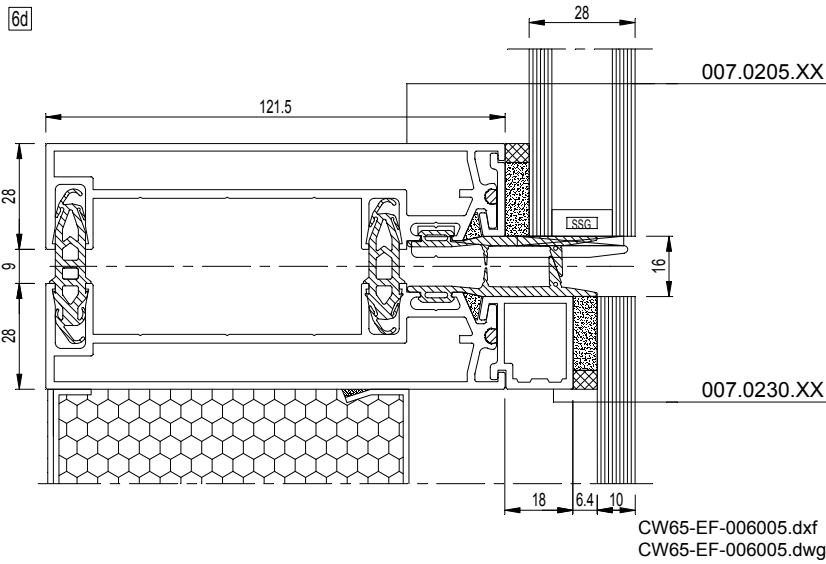
CW65-EF-006004.dxf  
 CW65-EF-006004.dwg

# CW 65-EF/SG

Vaste elementen - Vaste panelen  
Eléments fixes - Panneaux fixes  
Fixed elements - Fixed panels  
Feste Elemente - Feste Füllungen



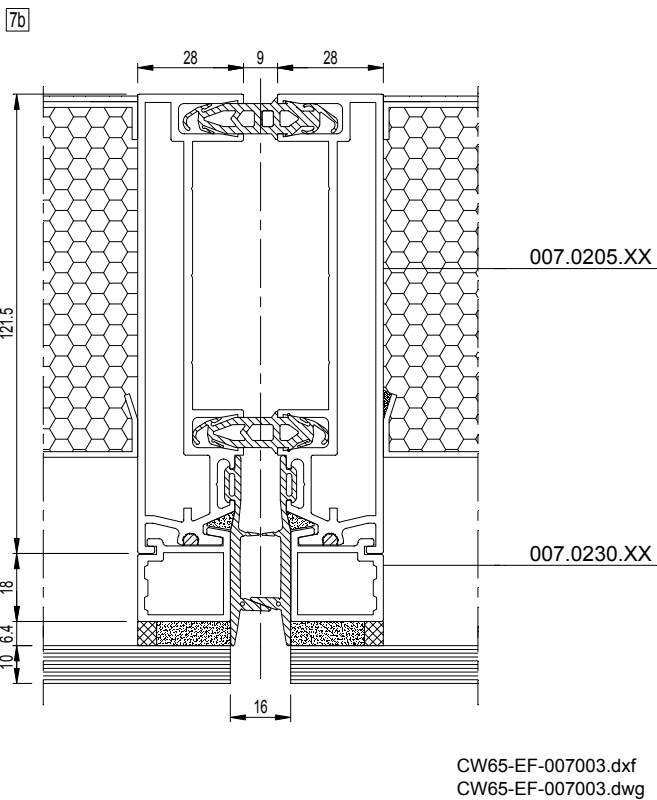
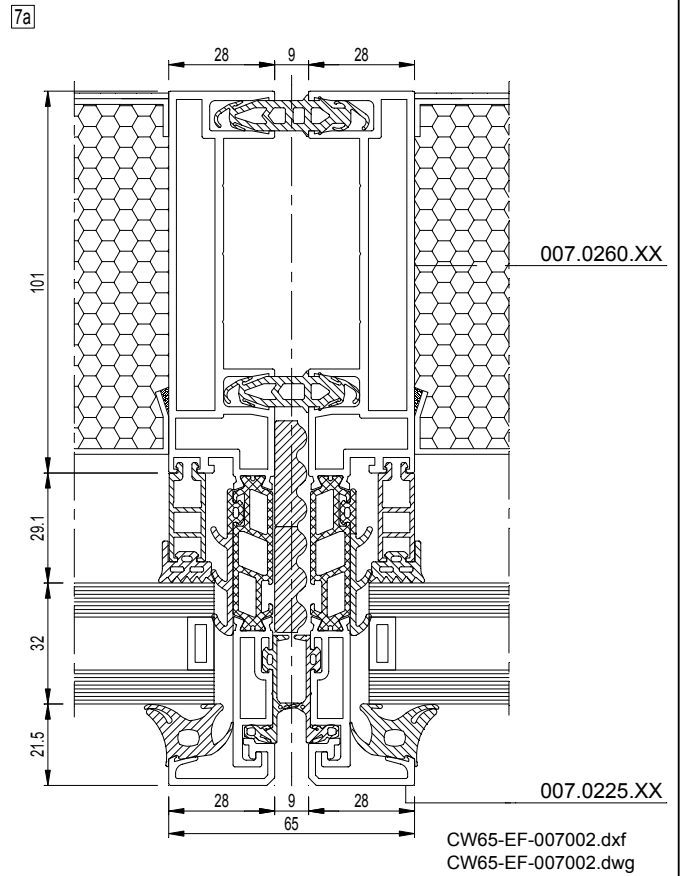
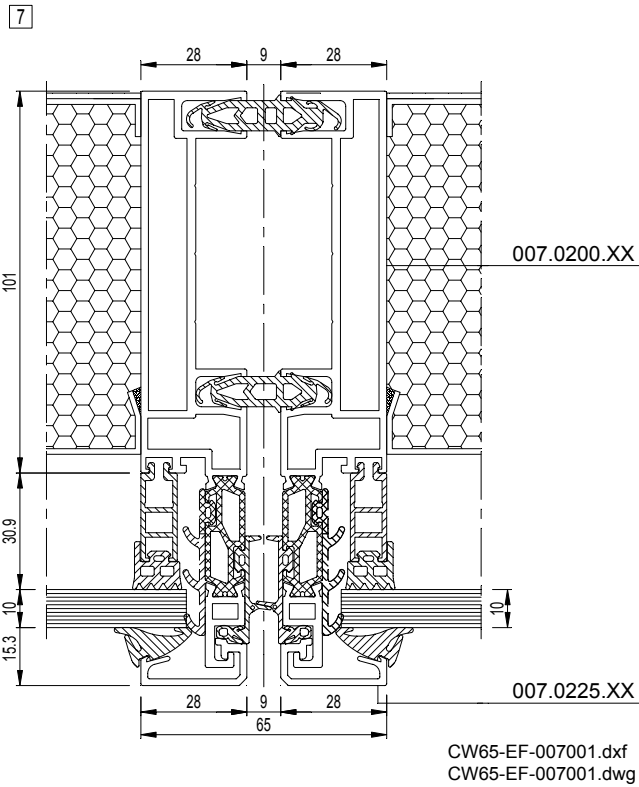
3	4	5	6	7







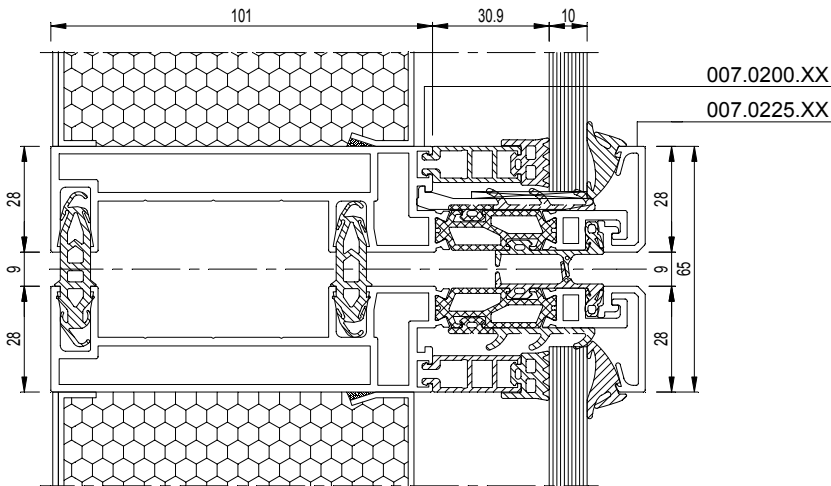
3	4	5	6	6





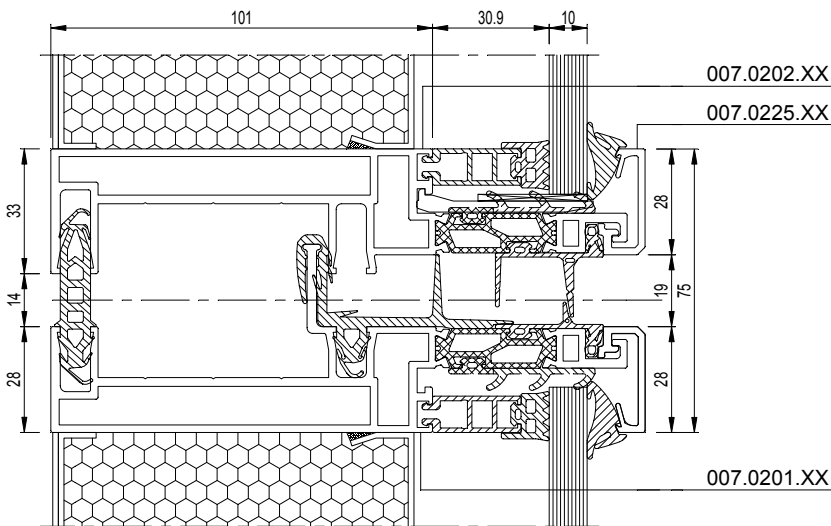
3	4	5	6	6

8



CW65-EF-008001.dxf  
 CW65-EF-008001.dwg

8a

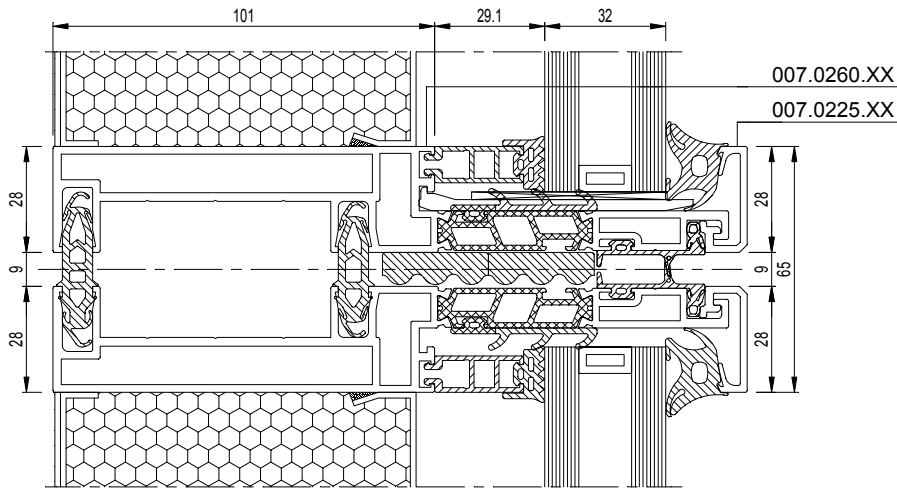


CW65-EF-008002.dxf  
 CW65-EF-008002.dwg



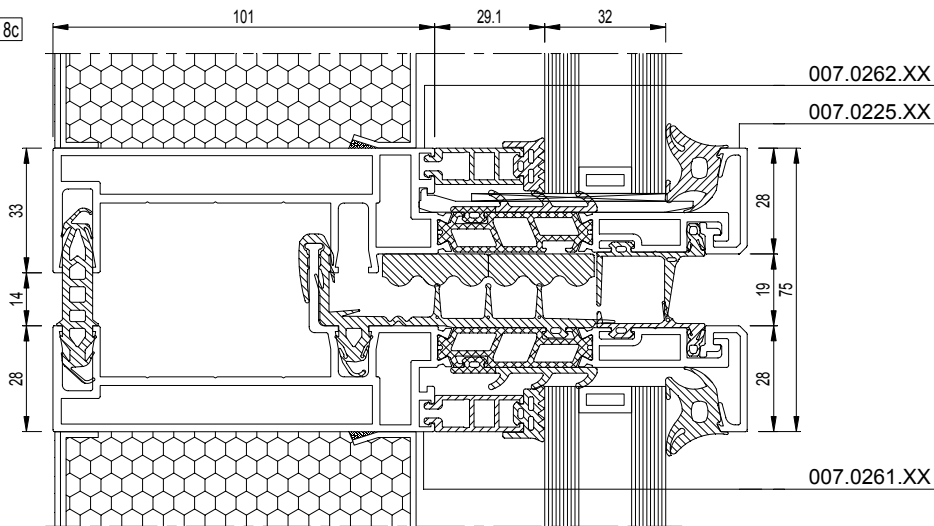
3	4	5	6	6

8b



CW65-EF-008003.dxf  
 CW65-EF-008003.dwg

8c



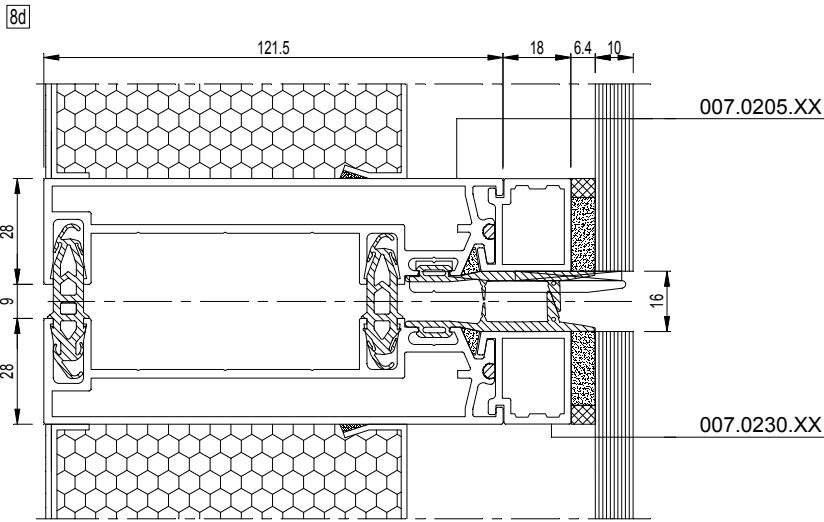
CW65-EF-008004.dxf  
 CW65-EF-008004.dwg

# CW 65-EF/SG

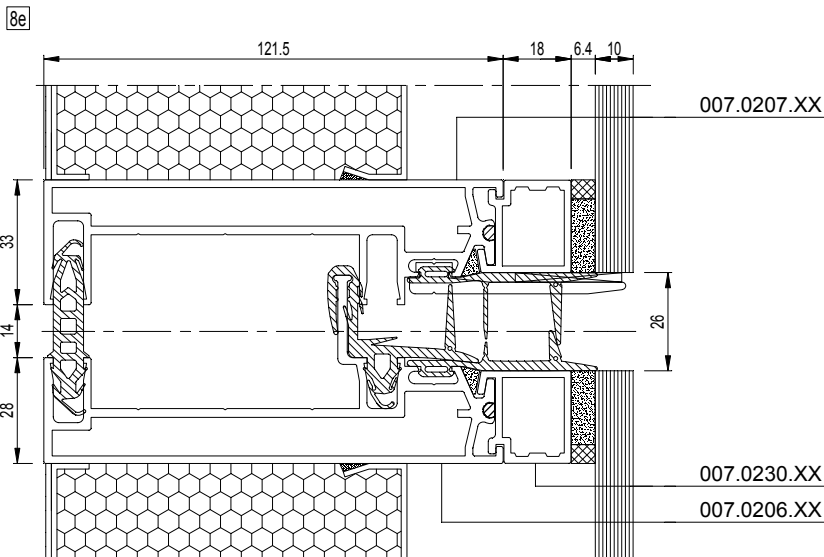
Vaste elementen - Vaste panelen  
Eléments fixes - Panneaux fixes  
Fixed elements - Fixed panels  
Feste Elemente - Feste Füllungen



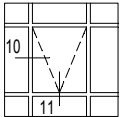
3	4	5	6	7



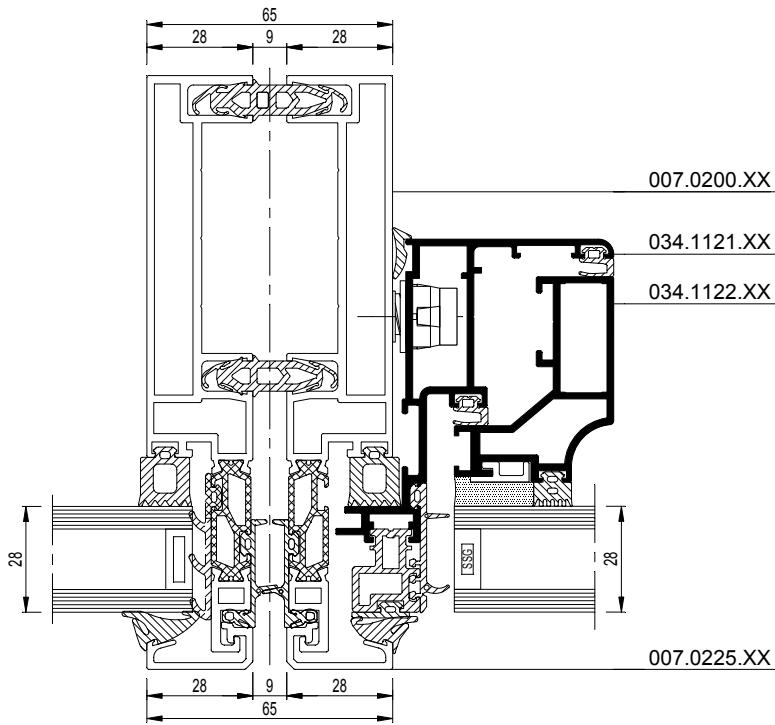
CW65-EF-008005.dxf  
CW65-EF-008005.dwg



CW65-EF-008006.dxf  
CW65-EF-008006.dwg

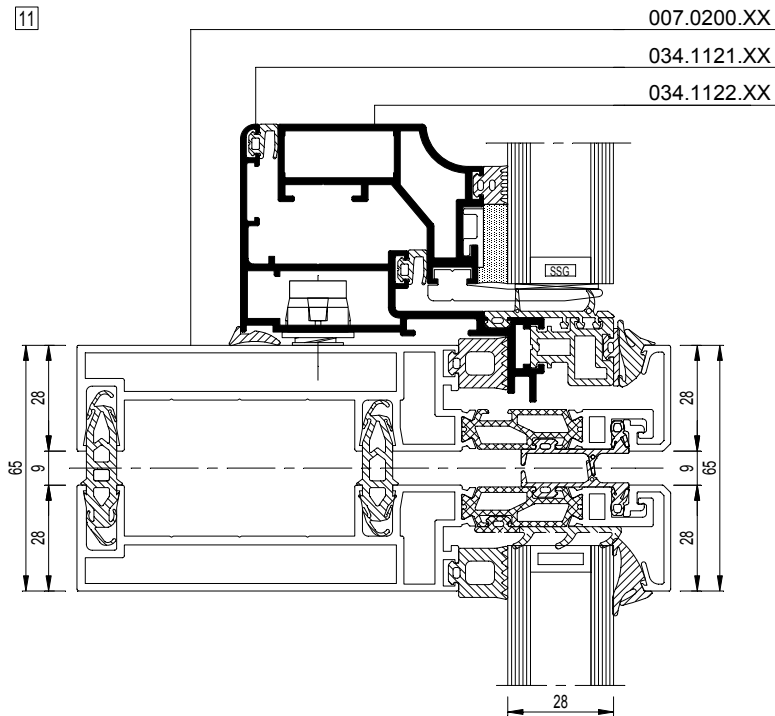


10

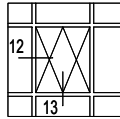
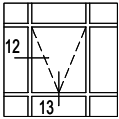


CW65-EF-010001.dxf  
 CW65-EF-010001.dwg

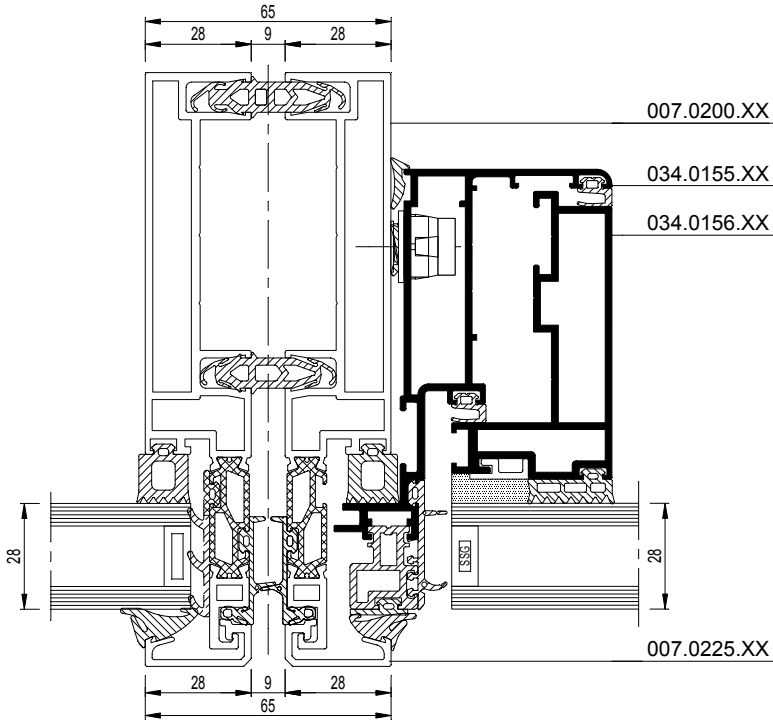
11



CW65-EF-011001.dxf  
 CW65-EF-011001.dwg

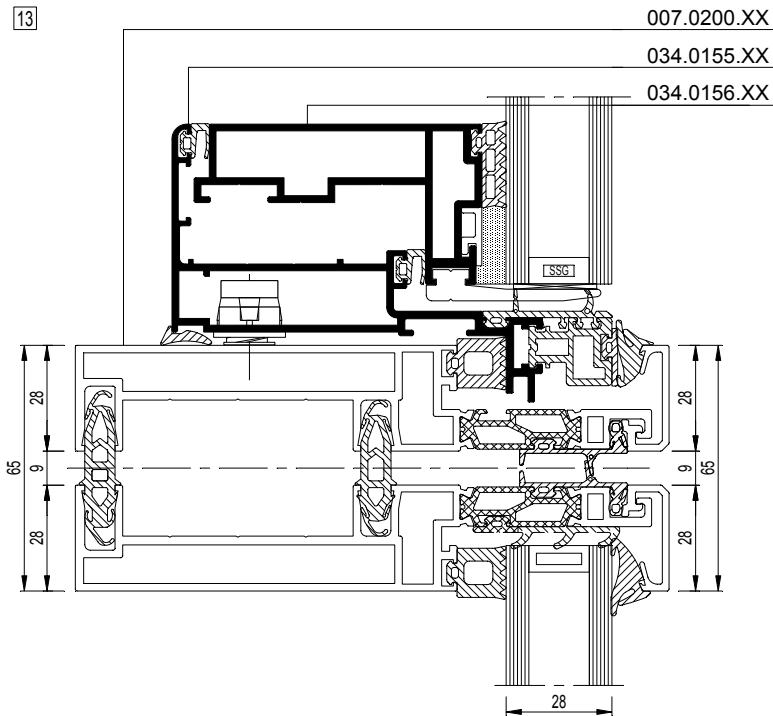


12

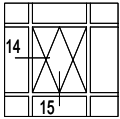


CW65-EF-012001.dxf  
 CW65-EF-012001.dwg

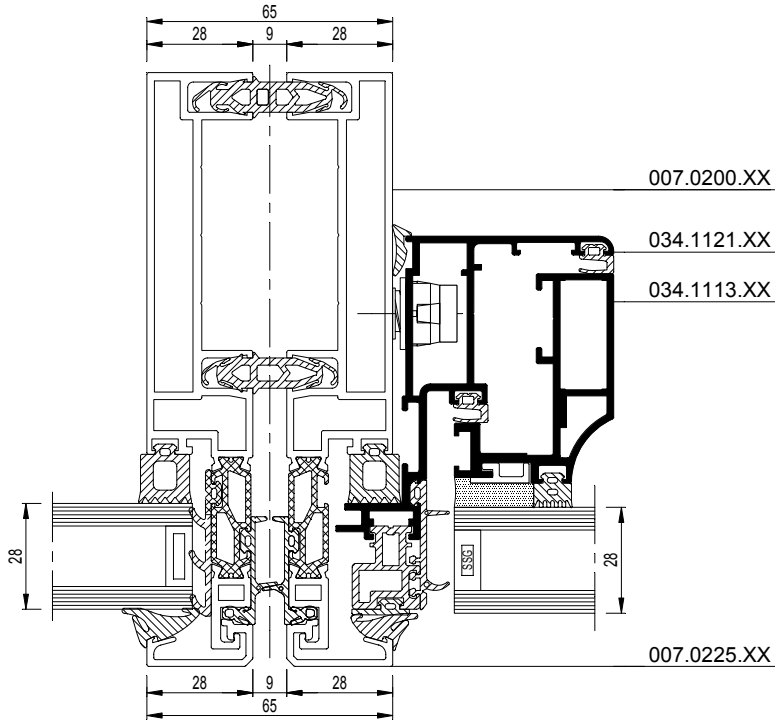
13



CW65-EF-013001.dxf  
 CW65-EF-013001.dwg

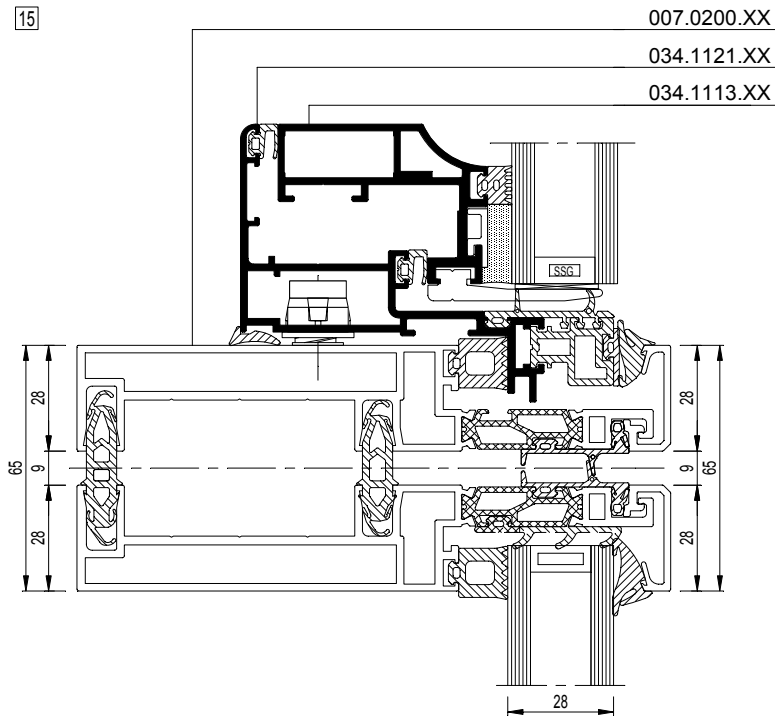


14



CW65-EF-014001.dxf  
 CW65-EF-014001.dwg

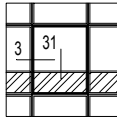
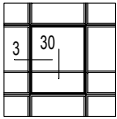
15



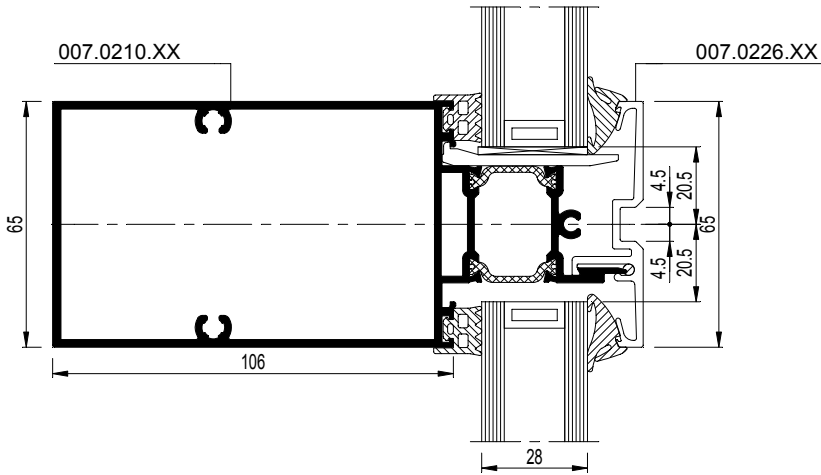
CW65-EF-015001.dxf  
 CW65-EF-015001.dwg

# CW 65-EF

Verdeling in vast raam - Vast elementen  
Division dans fenêtre fixe - Eléments fixes  
Division in fixed frame - Fixed elements  
Verteilung in einem festen Fenster - Feste Elemente

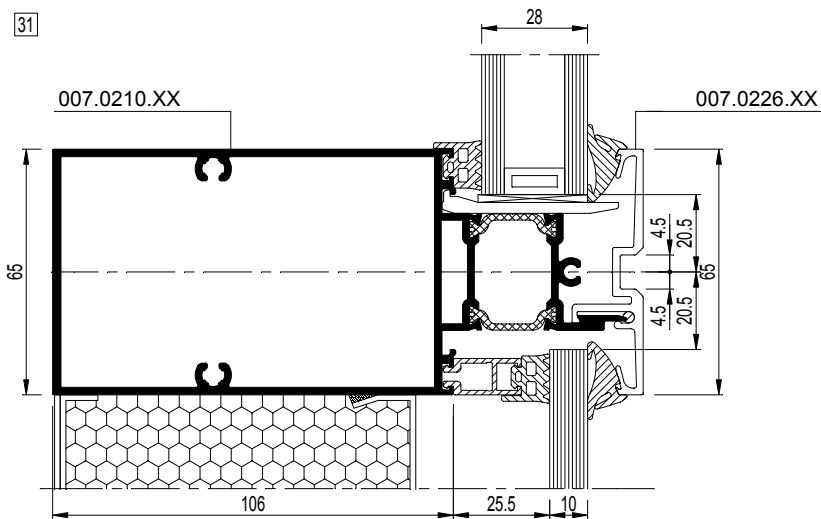


30



CW65-EF-030001.dxf  
CW65-EF-030001.dwg

31

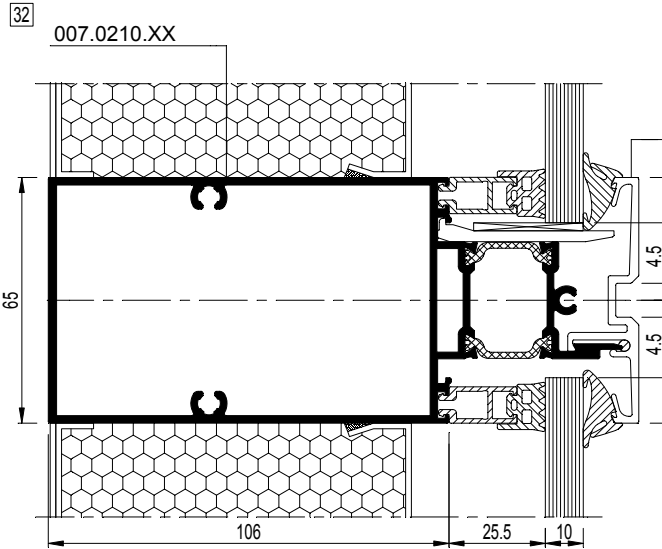
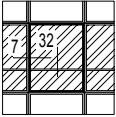


CW65-EF-031001.dxf  
CW65-EF-031001.dwg



# CW 65-EF

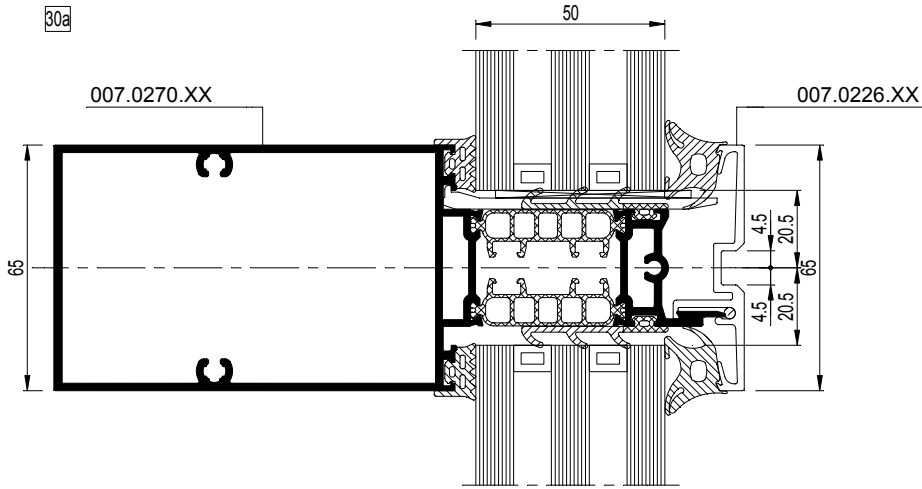
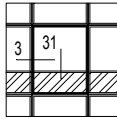
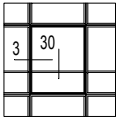
Verdeling in vast raam - Vast elementen  
Division dans fenêtre fixe - Eléments fixes  
Division in fixed frame - Fixed elements  
Verteilung in einem festen Fenster - Feste Elemente



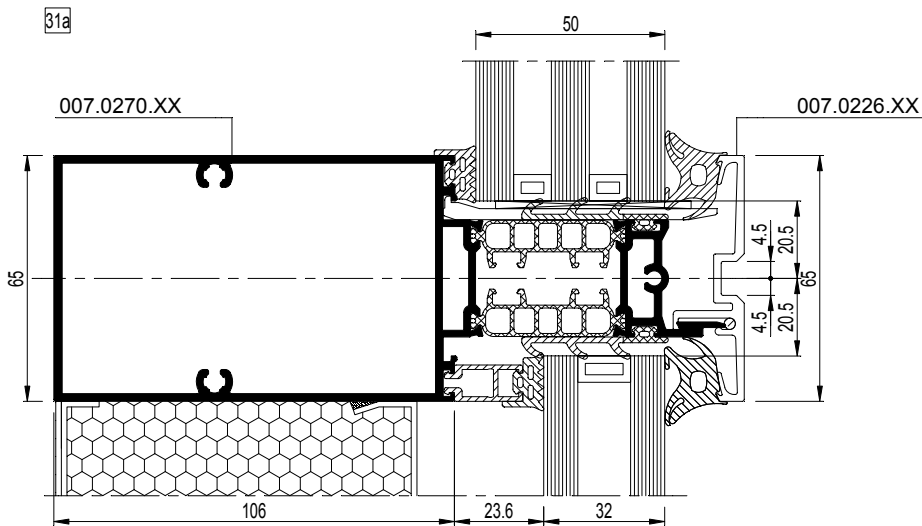
CW65-EF-032001.dxf  
CW65-EF-032001.dwg

# CW 65-EF/HI

Verdeling in vast raam - Vast elementen  
Division dans fenêtre fixe - Eléments fixes  
Division in fixed frame - Fixed elements  
Verteilung in einem festen Fenster - Feste Elemente



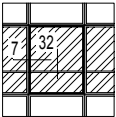
CW65-EF-030002.dxf  
CW65-EF-030002.dwg



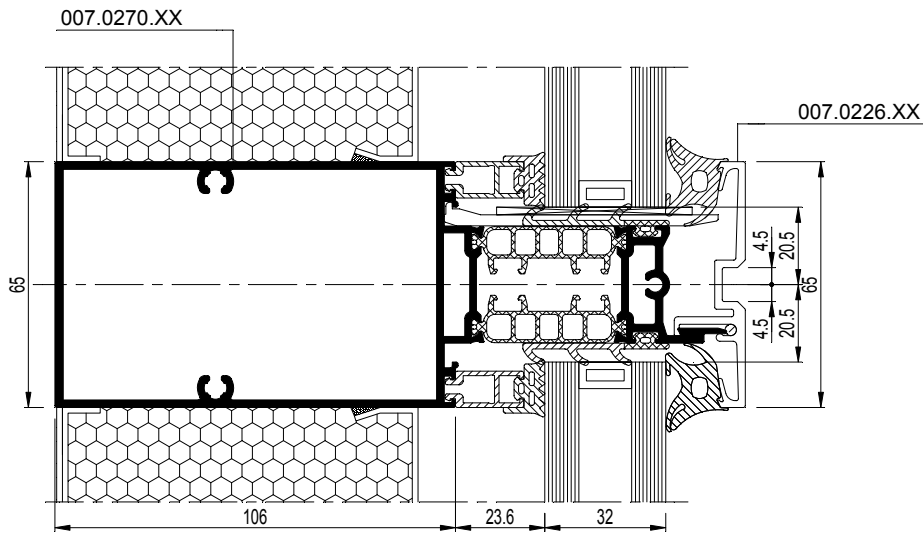
CW65-EF-031002.dxf  
CW65-EF-031002.dwg

# CW 65-EF/HI

Verdeling in vast raam - Vast elementen  
Division dans fenêtre fixe - Eléments fixes  
Division in fixed frame - Fixed elements  
Verteilung in einem festen Fenster - Feste Elemente



32a

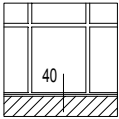


CW65-EF-032002.dxf  
CW65-EF-032002.dwg

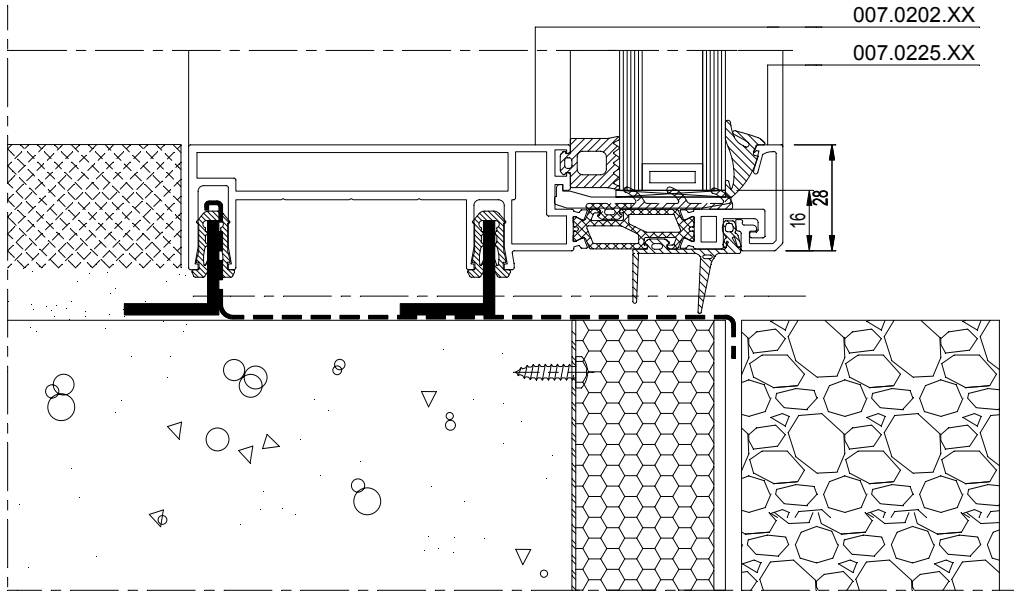
# CW 65-EF

## CW 65-EF/HI

Aansluitingen - Verankering  
Raccordements - Ancre  
Junctions - Anchoring  
Anschlüsse - Verankerung

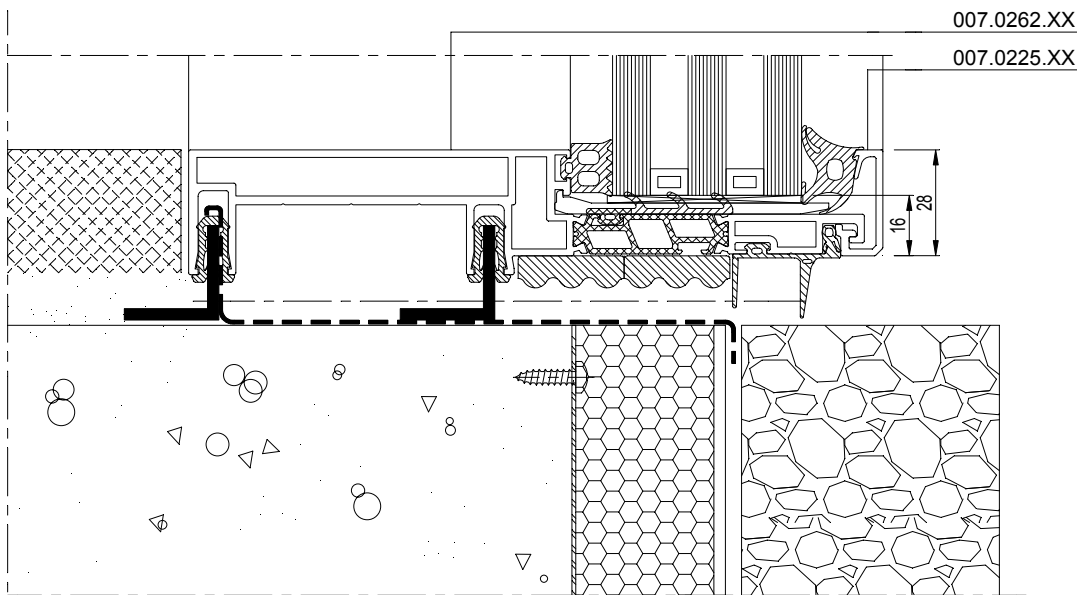


40



CW65-EF-040001.dxf  
CW65-EF-040001.dwg

40a

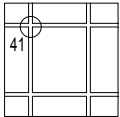


CW65-EF-040002.dxf  
CW65-EF-040002.dwg

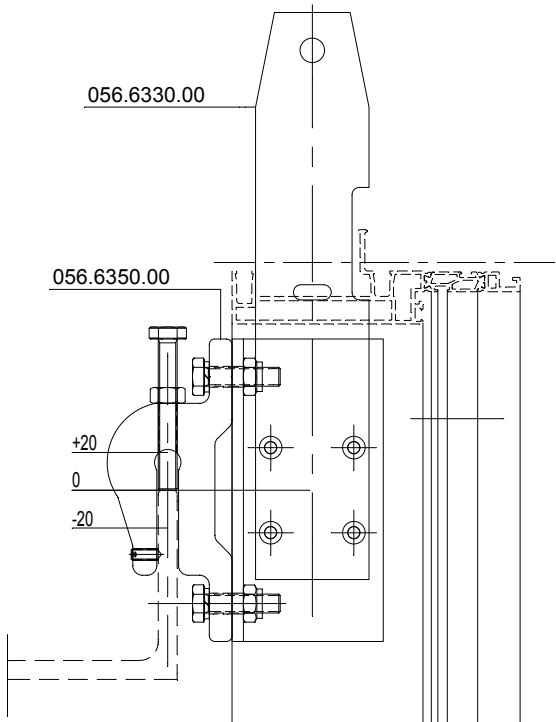
# CW 65-EF

## CW 65-EF/HI

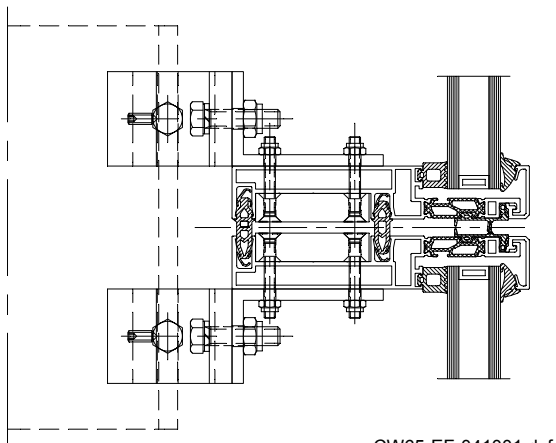
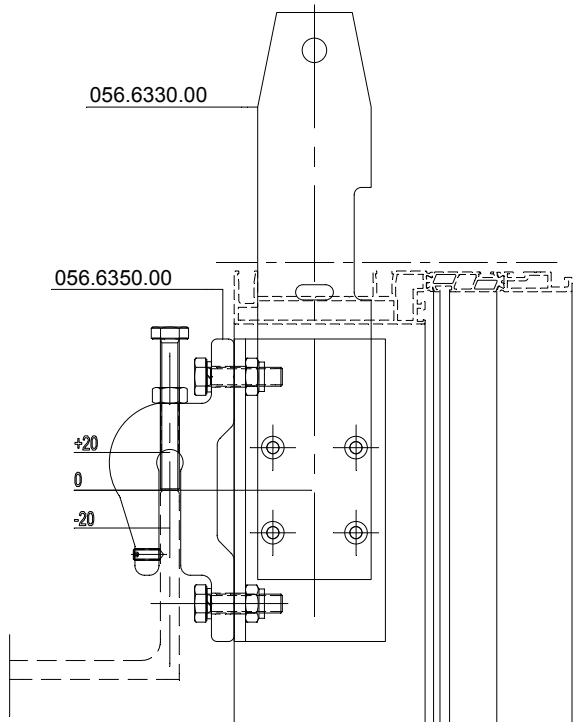
Aansluitingen - Verankerung  
 Raccordements - Ancre  
 Junctions - Anchoring  
 Anschlüsse - Verankerung



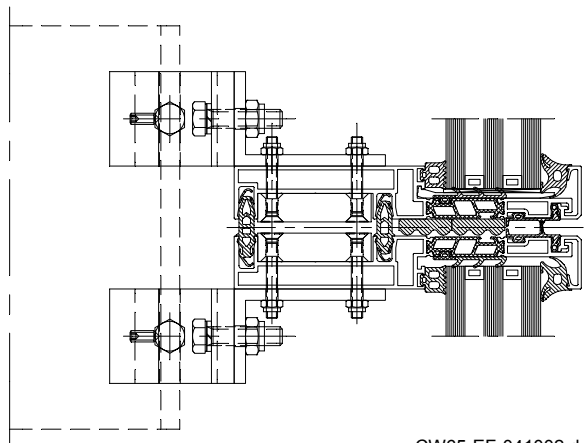
41



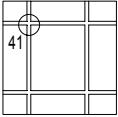
41a



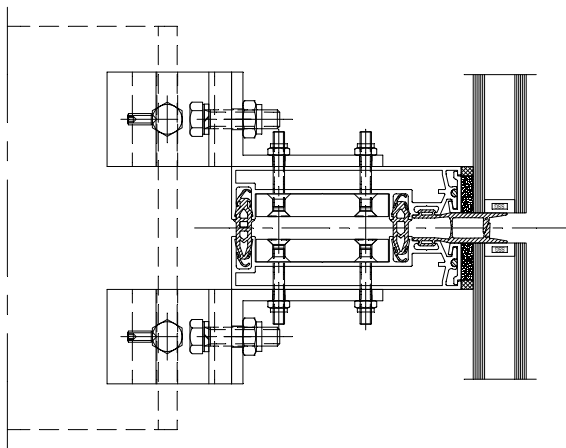
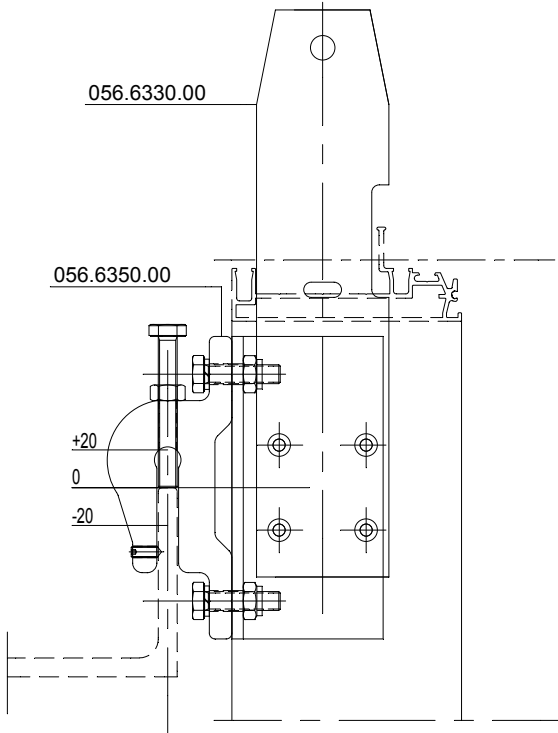
CW65-EF-041001.dxf  
 CW65-EF-041001.dwg



CW65-EF-041002.dxf  
 CW65-EF-041002.dwg



41b



CW65-EF-041003.dxf  
CW65-EF-041003.dwg

## CW 65-EF

---



### Connections with other systems

CW 65-EF - CS 68 (Windows)

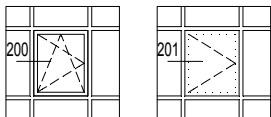
CW 65-EF - CS 68-HV (Windows)

CW 65-EF - CS 68 (Doors)

CW 65-EF - CN002

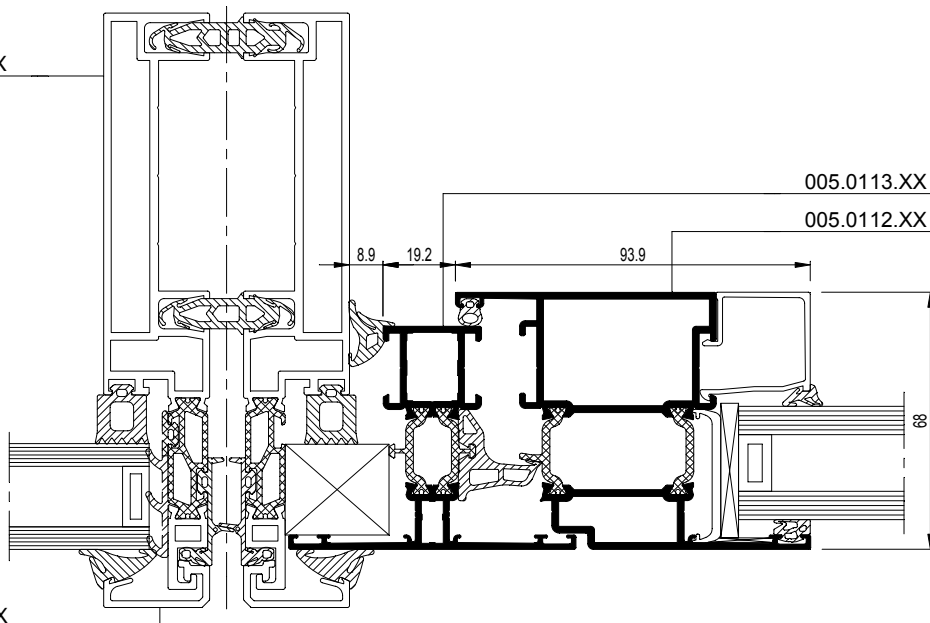
CW 65-EF - CN002

CW 65-EF - CN003



200  
 CW 65-EF - CS 68 Naar binnen opengaande  
 CW 65-EF - CS 68 Ouvrant vers l'intérieur  
 CW 65-EF - CS 68 Inward opening  
 CW 65-EF - CS 68 Nach inner öffnende

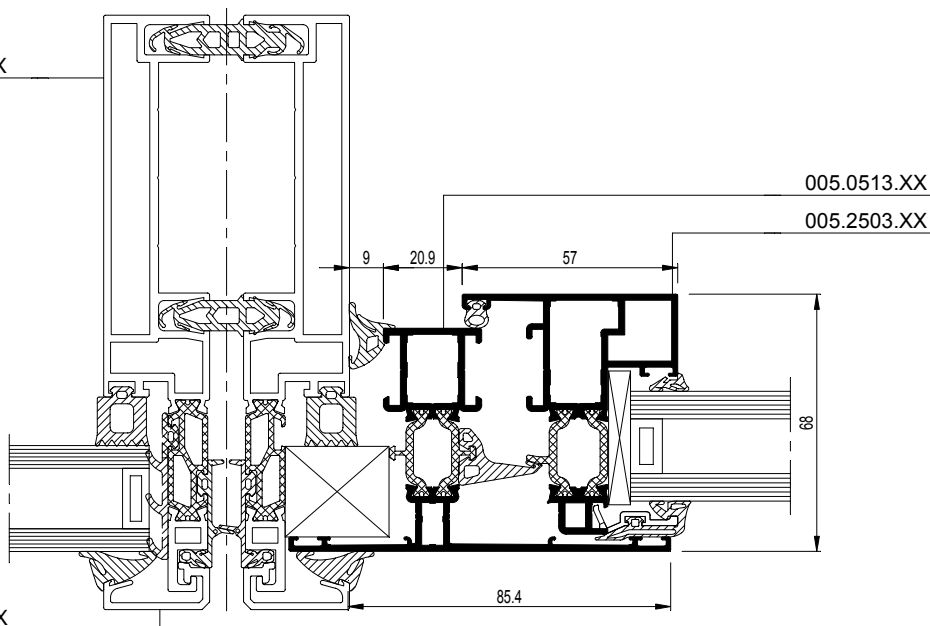
007.0200.XX



CW65-EF-200001.dxf  
 CW65-EF-200001.dwg

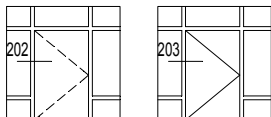
201  
 CW 65-EF - CS 68-HV Naar binnen opengaande  
 CW 65-EF - CS 68-HV Ouvrant vers l'intérieur  
 CW 65-EF - CS 68-HV Inward opening  
 CW 65-EF - CS 68-HV Nach inner öffnende

007.0200.XX



CW65-EF-201001.dxf  
 CW65-EF-201001.dwg



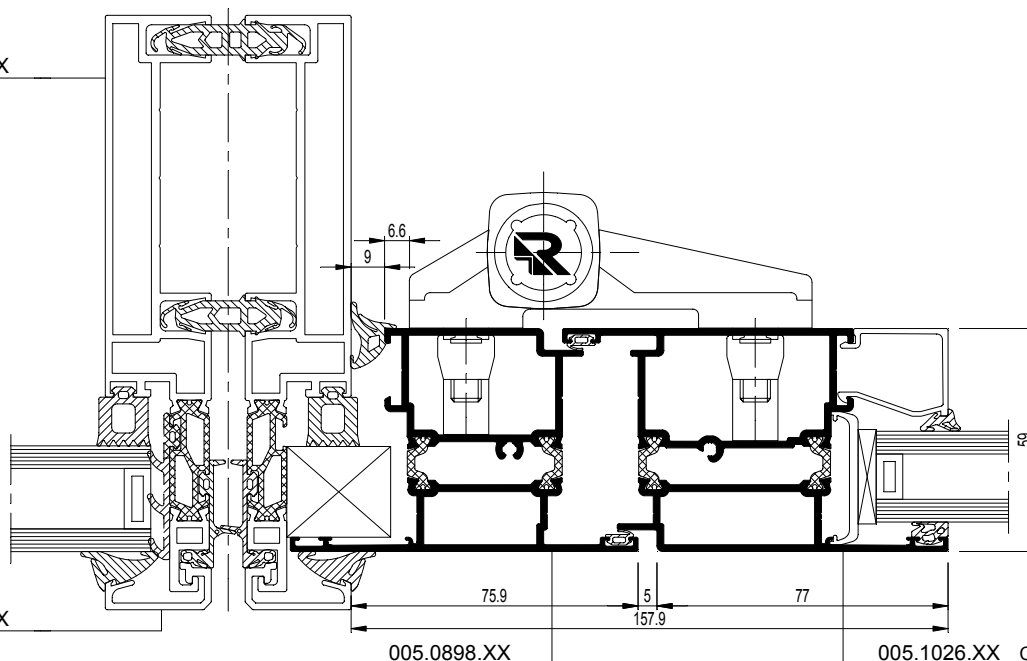


202

CW 65-EF - CS 68 Naar binnen opengaande  
 CW 65-EF - CS 68 Ouvrant vers l'intérieur  
 CW 65-EF - CS 68 Inward opening  
 CW 65-EF - CS 68 Nach inner öffnende

007.0200.XX

007.0225.XX



005.0898.XX

005.1026.XX

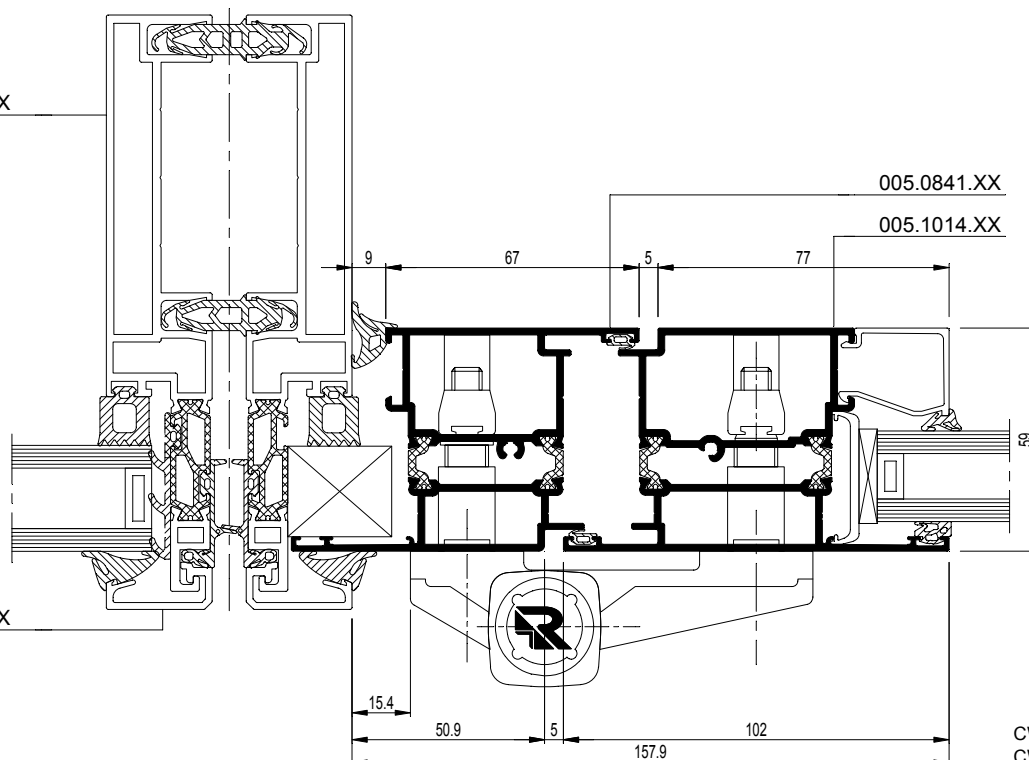
CW65-EF-202001.dxf  
 CW65-EF-202001.dwg

203

CW 65-EF - CS 68 Naar buiten draaiend  
 CW 65-EF - CS 68 Ouvrant vers l'extérieur  
 CW 65-EF - CS 68 Outward opening  
 CW 65-EF - CS 68 Nach außen öffnend

007.0200.XX

007.0225.XX



CW65-EF-203001.dxf  
 CW65-EF-203001.dwg