

SL 38

SL 38

R

REYNAERS
aluminium

Cat. nr. 16J
Art. nr. PP_AD.A89.J16A.00
Edition 07/2015



INHOUDSTAFEL

16J.001-008

Doorsnedetekeningen

OVERZICHT DOORSNEDETEKENINGEN	16J.D.001
SYSTEEMOVERZICHT	16J.D.002-003
VASTE ELEMENTEN - BUITENKADER & T-PROFIEL	16J.D.004-005
VASTE ELEMENTEN - T-PROFIEL & KLEINHOUT	16J.D.006-009
OPENGAANDE ELEMENTEN - NAAR BINNEN OPENGAAN	16J.D.010
OPENGAANDE ELEMENTEN	16J.D.011
OPENGAANDE ELEMENTEN - NAAR BINNEN OPENGAAN	16J.D.012
OMKEERPROFIEL	16J.D.013
OPENGAANDE ELEMENTEN - NAAR BUITEN OPENGAAN	16J.D.014-015
OPENGAANDE ELEMENTEN - NAAR BINNEN OPENGAAN	16J.D.016-017
OPENGAANDE ELEMENTEN - NAAR BUITEN OPENGAAN	16J.D.018-019
KOPPELINGEN MET ANDERE SYSTEMEN - CW 50	16J.D.020
HOEKPROFIEL 90° 135°	16J.D.021





TABLE DES MATIERES

16J.001-008

Sections des noeuds

APERCU DES DESSINS DE SECTION	16J.D.001
APERCU DU SYSTEME	16J.D.002-003
ELEMENTS FIXES - DORMANT & TRAVERSE	16J.D.004-005
ELEMENTS FIXES - TRAVERSE & PETIT BOIS	16J.D.006-009
ELEMENTS OUVRANTS - FENETRES OUVRANT VERS L'IN	16J.D.010
ELEMENTS OUVRANTS	16J.D.011
ELEMENTS OUVRANTS - FENETRES OUVRANT VERS L'IN	16J.D.012
PROFILE INVERSION	16J.D.013
ELEMENTS OUVRANTS - FENETRE OUVRANT VERS L'EX	16J.D.014-015
ELEMENTS OUVRANTS - PORTES OUVRANT VERS L'INTE	16J.D.016-017
ELEMENTS OUVRANTS - PORTES OUVRANT VERS L'EXT	16J.D.018-019
COMBINAISONS AVEC D'AUTRES SYSTEMES - CW 50	16J.D.020
PROFILE D'ANGLE 90° 135°	16J.D.021





TABLE OF CONTENTS

16J.001-008

Section drawings

DRAWING SECTIONS OVERVIEW	16J.D.001
SYSTEM OVERVIEW DOORS	16J.D.002-003
FIXED ELEMENTS - OUTER FRAME & TRANSOM-MULLION	16J.D.004-005
FIXED ELEMENTS - TRANSOM-MULLION & GEORGIAN BA	16J.D.006-009
OPENING ELEMENTS - INWARD OPENING	16J.D.010
OPENING ELEMENTS	16J.D.011
OPENING ELEMENTS - INWARD OPENING	16J.D.012
CHANGEOVER PROFILE	16J.D.013
OPENING ELEMENTS - OUTWARD OPENING WINDOWS	16J.D.014-015
OPENING ELEMENTS - INWARD OPENING DOORS	16J.D.016-017
OPENING ELEMENTS - OUTWARD OPENING DOORS	16J.D.018-019
CONNECTIONS WITH OTHER SYSTEMS - CW 50	16J.D.020
CORNER PROFILE 90° 135°	16J.D.021








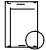


INHALTSANGABE

16J.001-008

Profilkombinationen

UEBERSICHT PROFILKOMBINATIONEN	16J.D.001
SYSTEMUEBERSICHT	16J.D.002-003
FESTE ELEMENTE - BLENDRAHMEN & SPROSSE	16J.D.004-005
FESTE ELEMENTE - SPROSSE & ZIERSPROSSE	16J.D.006-009
OEFFNENDE ELEMENTE - NACH INNEN OEFFNENDES FE	16J.D.010
OEFFNENDE ELEMENTE	16J.D.011
OEFFNENDE ELEMENTE - NACH INNEN OEFFNENDES FE	16J.D.012
WECHSELPROFIL	16J.D.013
OEFFNENDE ELEMENTE - NACH AUSSEN OEFFNENDES FI	16J.D.014-015
OEFFNENDE ELEMENTE - NACH INNEN OEFFNENDES TUE	16J.D.016-017
OEFFNENDE ELEMENTE - NACH AUSSEN OEFFNENDES TI	16J.D.018-019
KOMBINATIONEN MIT ANDEREN SYSTEMEN - CW 50	16J.D.020
ECKPROFIL 90° 135°	16J.D.021



					
16J.D.001	07/2015	D0098616			
16J.D.002	07/2015	D0098618			
16J.D.003	07/2015	D0098617			
16J.D.004	07/2015	D0098419			
16J.D.005	07/2015	D0098420			
16J.D.006	07/2015	D0098428			
16J.D.007	07/2015	D0098449			
16J.D.008	07/2015	D0098450			
16J.D.009	07/2015	D0098432			
16J.D.010	07/2015	D0098433			
16J.D.011	07/2015	D0098448			
16J.D.012	07/2015	D0098434			
16J.D.013	07/2015	D0098456			
16J.D.014	07/2015	D0098437			
16J.D.015	07/2015	D0098438			
16J.D.016	07/2015	D0098439			
16J.D.017	07/2015	D0098441			
16J.D.018	07/2015	D0098443			
16J.D.019	07/2015	D0098445			
16J.D.020	07/2015	D0098446			
16J.D.021	07/2015	D0098452			
16J.D.022	07/2015	D0098454			
16J.001	11/06/2015				
16J.003	11/06/2015				
16J.005	11/06/2015				
16J.007	11/06/2015				



D

Doorsnedetekeningen

Sections des noeuds

Section drawings

Profilkombinationen

SL 38



SL 38 (RAMEN)
SL 38 (FENETRES)

**1 VASTE ELEMENTEN
ELEMENTS FIXES**

**2 OPENGAANDE ELEMENTEN
ELEMENTS OUVRANTS**

**3 SAMENGESTELDE ELEMENTEN
ELEMENTS COMPOSES**

**4 KOPPELINGEN
COMBINAISONS**

SL 38 (DEUREN)
SL 38 (PORTES)

**5 NAAR BINNEN DRAAIEND
OUVRANTE VERS L'INTERIEUR**

**6 NAAR BUITEN DRAAIEND
OUVRANT VERS L'EXTERIEUR**

SL 38 (WINDOWS)
SL 38 (FENSTER)

**FIXED ELEMENTS
FESTE ELEMENTE**

**OPENING ELEMENTS
OEFFNENDE ELEMENTE**

**COMPOSED ELEMENTS
KOMBINIERT ELEMEN TE**

**CONNECTIONS
KOMBINATIONEN**

SL 38 (DOORS)
SL 38 (TUEREN)

**INWARD OPENING
NACH INNEN OEFFENDE**

**OUTWARD OPENING
NACH AUSSEN OEFFNEND**

SL 38 (RAMEN)
 SL 38 (FENETRES)

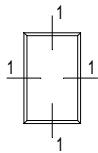
SL 38 (WINDOWS)
 SL 38 (FENSTER)



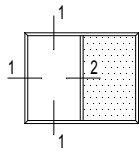
**1 VASTE ELEMENTEN
 ELEMENTS FIXES**

**FIXED ELEMENTS
 FESTE ELEMENTE**

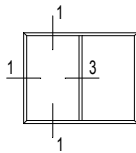
BUITENKADER
 DORMANT



OUTER FRAME
 BLENDRAHMEN



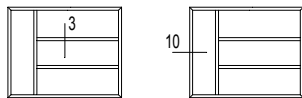
T-PROFIEL
 TRAVERSE



TRANSOM-MULLION
 SPROSSE



VERDELING IN VAST RAAM
 DIVISION DANS FENETRE FIXE

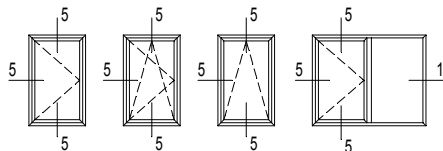


DIVISION IN FIXED FRAME
 VERTEILUNG IN EINEM FESTEN FENSTER

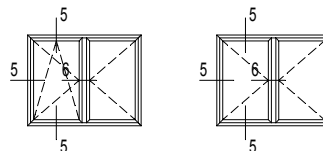
**2 OPENGAANDE ELEMENTEN
 ELEMENTS OUVRANTS**

**OPENING ELEMENTS
 OEFFNENDE ELEMENTE**

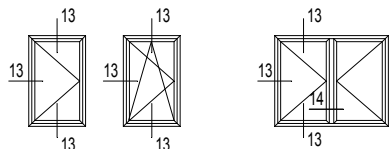
NAAR BINNEN OPENGAANDE RAMEN
 FENETRES OUVRANT VERS L'INTERIEUR



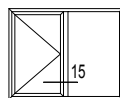
INWARD OPENING WINDOWS
 NACH INNEN OEFFNENDE FENSTER



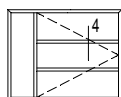
NAAR BUITEN OPENGAANDE RAMEN
 FENETRES OUVRANT VERS L'EXTERIEUR



OUTWARD OPENING WINDOWS
 NACH AUSSEN OEFFNENDE FENSTER



VERDELING IN VLEUGEL
 DIVISION DANS L'OUVRANT

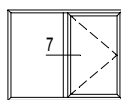


DIVISION IN WINDOW VENT
 VERTEILUNG IM FLUEGEL

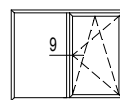
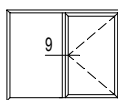
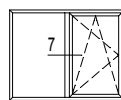
**3 SAMENGESTELDE ELEMENTEN
 ELEMENTS COMPOSES**

**COMPOSED ELEMENTS
 KOMBINIERT E ELEMENTE**

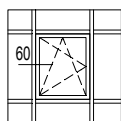
T-PROFIEL
 TRAVERSE



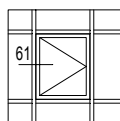
TRANSOM
 RIEGEL



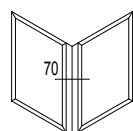
KOPPELINGEN
 COMBINAISONS



CONNECTIONS
 KOMBINATIONEN



HOEKPROFIELEN
 PROFILES D'ANGLE



CORNER PROFILES
 ECKPROFILE

90°-135°

SL 38 (DEUREN)
 SL 38 (PORTES)

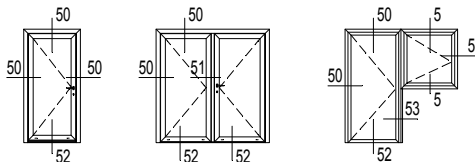
SL 38 (DOORS)
 SL 38 (TUEREN)



**5 DEUREN NAAR BINNEN DRAAIEND
 PORTES OUVRANT VERS L'INTERIEUR**

**DOORS INWARD OPENING
 TUEREN NACH INNEN OEFFNEND**

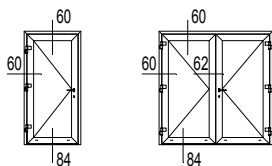
NAAR BINNEN DRAAIENDE DEUREN MET DEURVLEUGEL RONDON GEPERST
 PORTES OUVRANT VERS L'EXTERIEUR AVEC OUVRANT SERTI TOUT AUTOUR
 OUTWARD OPENING DOORS WITH VENT CRIMPED ALL ROUND
 NACH AUSSEN OEFFNENDE TUEREN MIT RUNDHERUM GEPRESSTEM TUERFLUEGEL



**6 DEUREN NAAR BUITEN DRAAIEND
 PORTES OUVRANT VERS L'EXTERIEUR**

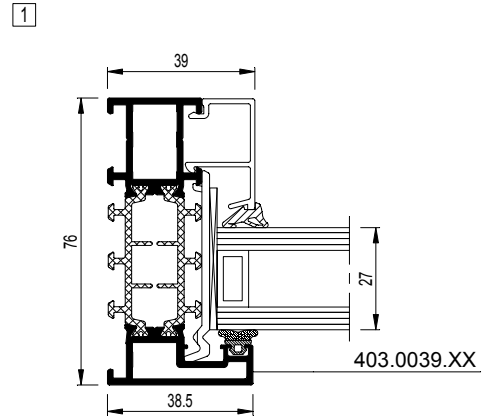
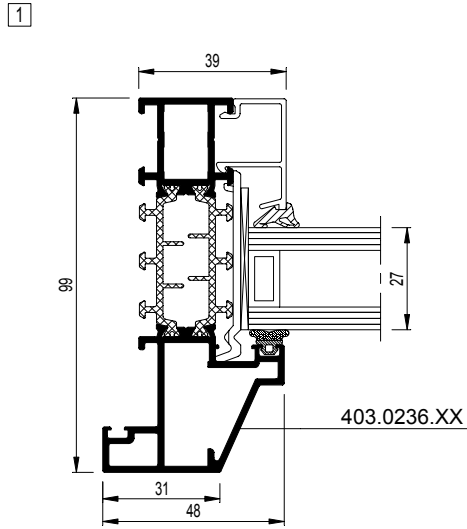
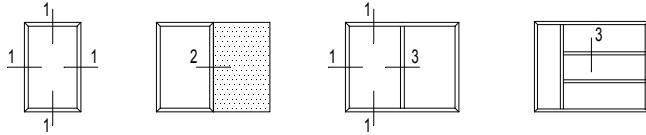
**DOORS OUTWARD OPENING
 TUEREN NACH AUSSEN OEFFNEND**

NAAR BUITEN DRAAIENDE DEUREN MET DEURVLEUGEL RONDON GEPERST
 PORTES OUVRANT VERS L'EXTERIEUR AVEC OUVRANT SERTI TOUT AUTOUR
 OUTWARD OPENING DOORS WITH VENT CRIMPED ALL ROUND
 NACH AUSSEN OEFFNENDE TUEREN MIT RUNDHERUM GEPRESSTEM TUERFLUEGEL



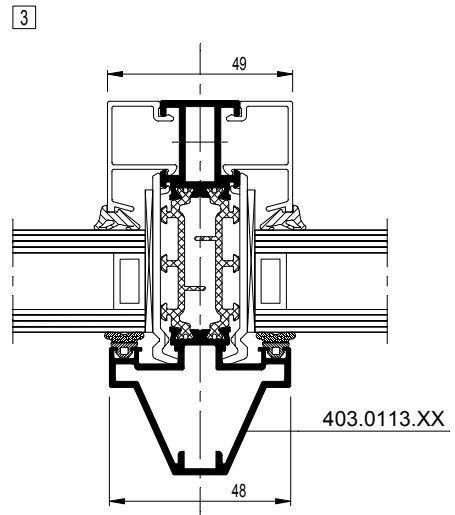
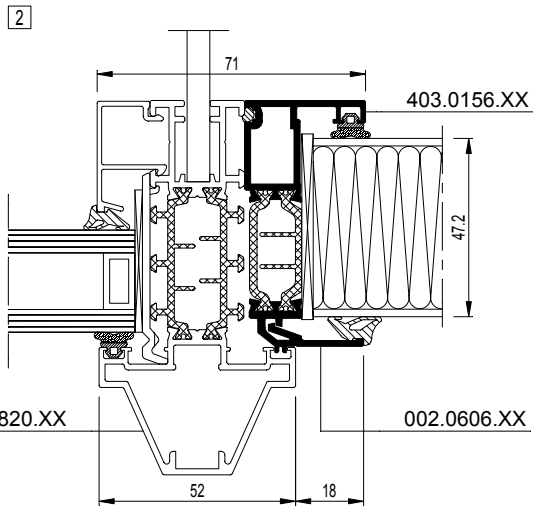
DEUREN MET T-PROFIELEN
 PORTE AVEC TRAVERSES

DOORS WITH TRANSOM
 TUEREN MIT SPROSSE



SL38-001006.dxf
 SL38-001006.dwg

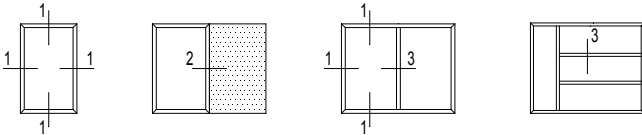
... .dxf
dwg



SL38-002001.dxf
 SL38-002001.dwg

... .dxf
dwg



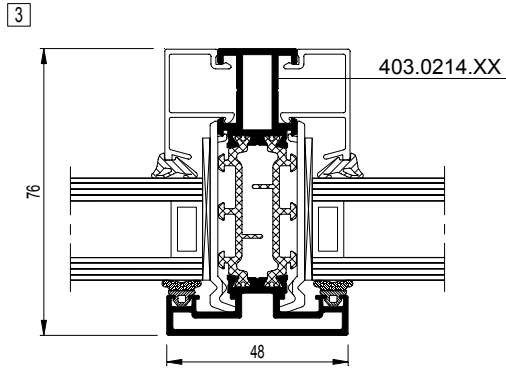
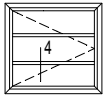
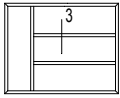


<p>403.0236.XX</p> <p>lx = 36.062 cm⁴</p> <p>1 SL38-001001.dxf SL38-001001.dwg</p>	<p>403.0083.XX</p> <p>lx = 37.177 cm⁴</p> <p>1 SL38-001002.dxf SL38-001002.dwg</p>	<p>403.0036.XX</p> <p>lx = 29.199 cm⁴</p> <p>1 SL38-001003.dxf SL38-001003.dwg</p>	<p>403.0136.XX</p> <p>lx = 31.912 cm⁴</p> <p>1 SL38-001004.dxf SL38-001004.dwg</p>	<p>403.0336.XX</p> <p>lx = 34.238 cm⁴</p> <p>1 SL38-001005.dxf SL38-001005.dwg</p>
--	--	--	--	--


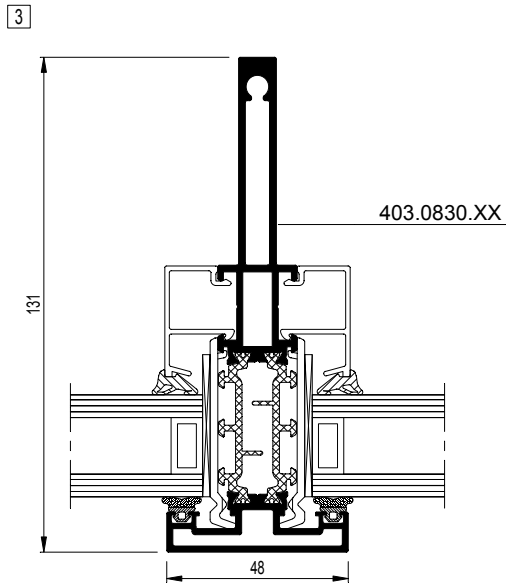
<p>403.0113.XX</p> <p>lx = 30.260 cm⁴</p> <p>3 SL38-003001.dxf SL38-003001.dwg</p>	<p>403.0120.XX</p> <p>lx = 32.333 cm⁴</p> <p>3 SL38-003002.dxf SL38-003002.dwg</p>	<p>403.0820.XX</p> <p>lx = 31.772 cm⁴</p> <p>3 SL38-003003.dxf SL38-003003.dwg</p>
--	--	--

	lx cm ⁴
403.0113.XX + 0M0.3006.XX	31.610
403.0120.XX + 0M0.3010.XX	34.701
403.0814.XX + 0M0.4006.XX	37.015
403.0814.XX + 0M0.6006.XX	55.387
403.0814.XX + 0M0.8006.XX	82.184
403.0814.XX + 0M1.0006.XX	120.232
403.0820.XX + 0M0.3010.XX	34.022
403.0820.XX + 0M0.4006.XX	53.890


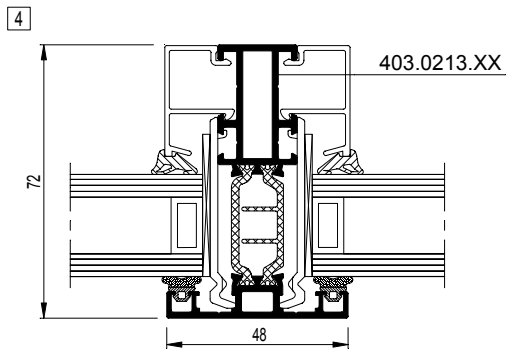
	lx cm ⁴
403.0820.XX + 0M0.6006.XX	77.612
403.0820.XX + 0M0.8006.XX	110.494
403.0820.XX + 0M1.0006.XX	153.849
403.0820.XX + 0M0.4006.XX + 0M0.3010.XX	56.140
403.0820.XX + 0M0.6006.XX + 0M0.3010.XX	79.862
403.0820.XX + 0M0.8006.XX + 0M0.3010.XX	112.744
403.0820.XX + 0M1.0006.XX + 0M0.3010.XX	156.099
403.0850.XX + 0M0.3010.XX	108.761




☞dxf
dwg

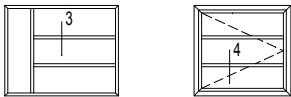



☞dxf
dwg

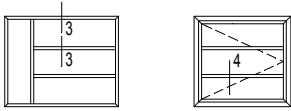



☞dxf
dwg

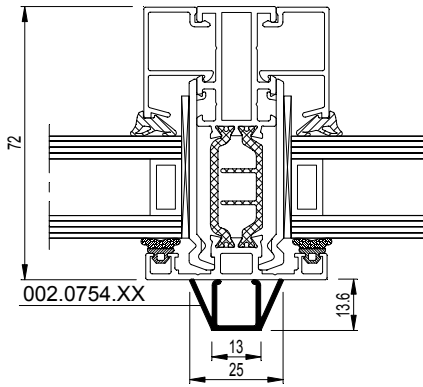




<p>403.0214.XX</p> <p>$I_x = 20.749 \text{ cm}^4$</p> <p>3 SL38-003006.dxf SL38-003006.dwg</p>	<p>403.0223.XX</p> <p>$I_x = 21.725 \text{ cm}^4$</p> <p>3 SL38-003007.dxf SL38-003007.dwg</p>	<p>403.0830.XX</p> <p>$I_x = 79.845 \text{ cm}^4$</p> <p>3 SL38-003010.dxf SL38-003010.dwg</p>	<p>403.0840.XX</p> <p>$I_x = 80.713 \text{ cm}^4$</p> <p>3 SL38-003011.dxf SL38-003011.dwg</p>
<p>403.0850.XX</p> <p>$I_x = 106.511 \text{ cm}^4$</p> <p>3 SL38-003012.dxf SL38-003012.dwg</p>	<p>403.0313.XX</p> <p>$I_x = 31.706 \text{ cm}^4$</p> <p>3 SL38-003020.dxf SL38-003020.dwg</p>	<p>403.0320.XX</p> <p>$I_x = 33.846 \text{ cm}^4$</p> <p>3 SL38-003021.dxf SL38-003021.dwg</p>	<p>403.0920.XX</p> <p>$I_x = 33.225 \text{ cm}^4$</p> <p>3 SL38-003022.dxf SL38-003022.dwg</p>
<p>403.0950.XX</p> <p>$I_x = 112.234 \text{ cm}^4$</p> <p>3 SL38-003023.dxf SL38-003023.dwg</p>	<p>403.0213.XX</p> <p>$I_x = 16.424 \text{ cm}^4$</p> <p>4 SL38-004001.dxf SL38-004001.dwg</p>	<p>403.0220.XX</p> <p>$I_x = 17.936 \text{ cm}^4$</p> <p>4 SL38-004002.dxf SL38-004002.dwg</p>	



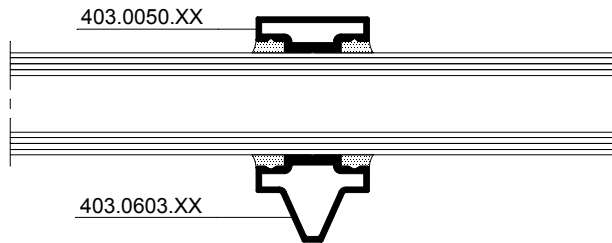
4



002.0754.XX

☞dxf
dwg

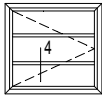
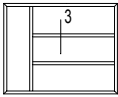
3 / 4



403.0050.XX

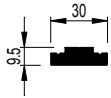
403.0603.XX

☞dxf
dwg



403.0050.XX

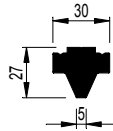
$I_x = 0.128 \text{ cm}^4$



3 / 4 SL38-003016.dxf
 SL38-003016.dwg

403.0703.XX

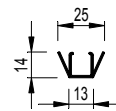
$I_x = 1.070 \text{ cm}^4$



3 SL38-003018.dxf
 SL38-003018.dwg

002.0754.XX

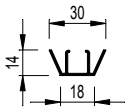
$I_x = 0.140 \text{ cm}^4$



4 SL38-004003.dxf
 SL38-004003.dwg

002.0763.XX

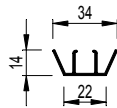
$I_x = 0.158 \text{ cm}^4$



4 SL38-004004.dxf
 SL38-004004.dwg

002.0762.XX

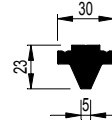
$I_x = 0.171 \text{ cm}^4$



4 SL38-004005.dxf
 SL38-004005.dwg

403.0603.XX

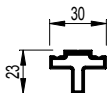
$I_x = 0.446 \text{ cm}^4$



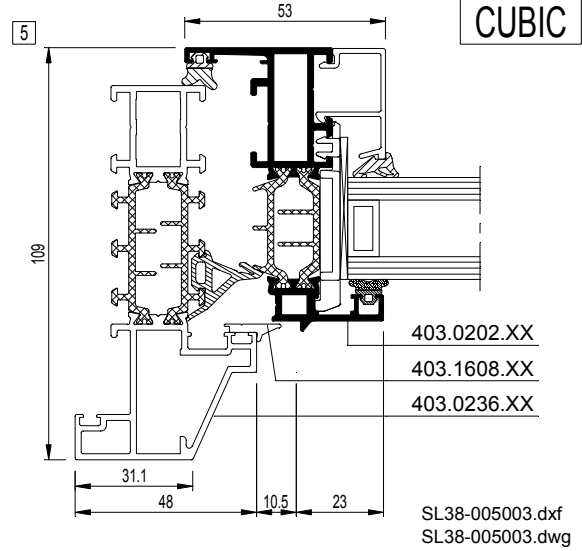
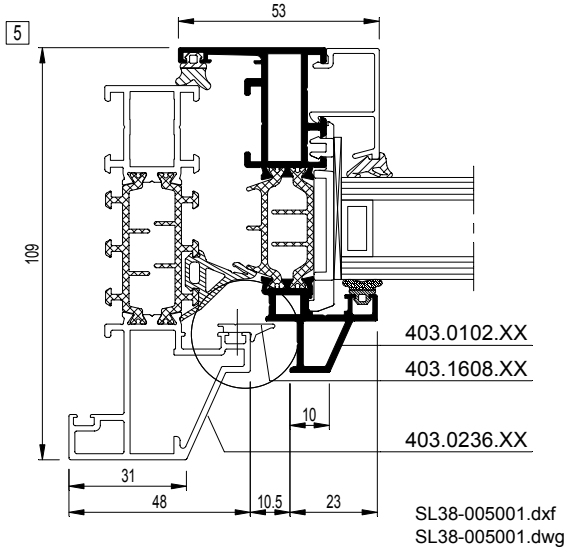
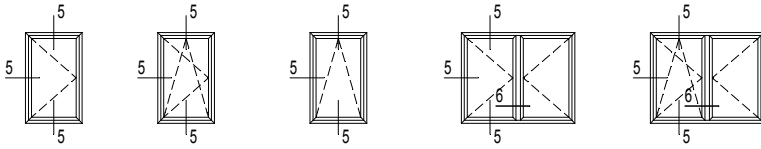
4 SL38-004006.dxf
 SL38-004006.dwg

403.0150.XX

$I_x = 0.712 \text{ cm}^4$



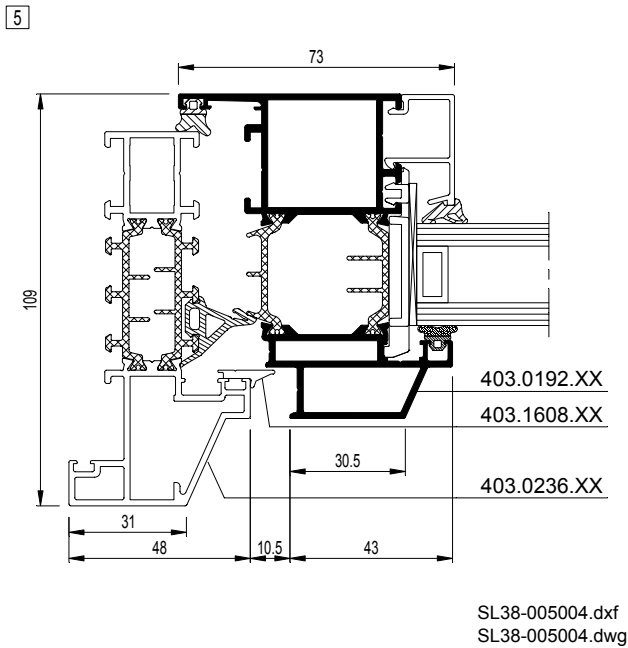
3 SL38-004007.dxf
 SL38-004007.dwg

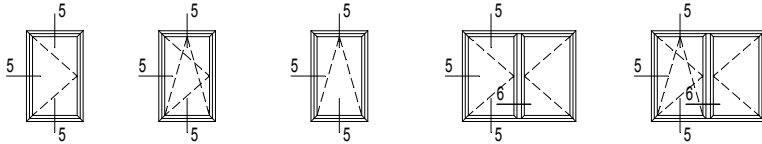


Variant
Variante

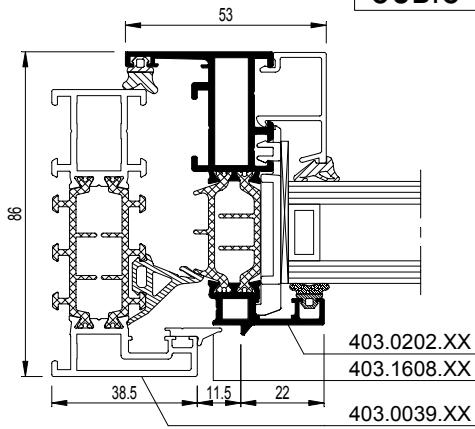


SL38-005002.dxf
SL38-005002.dwg





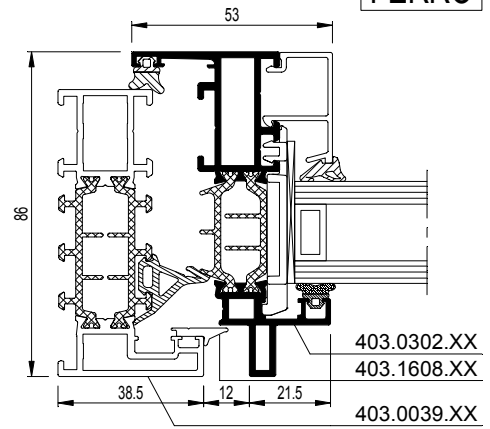
5



CUBIC

SL38-005005.dxf
SL38-005005.dwg

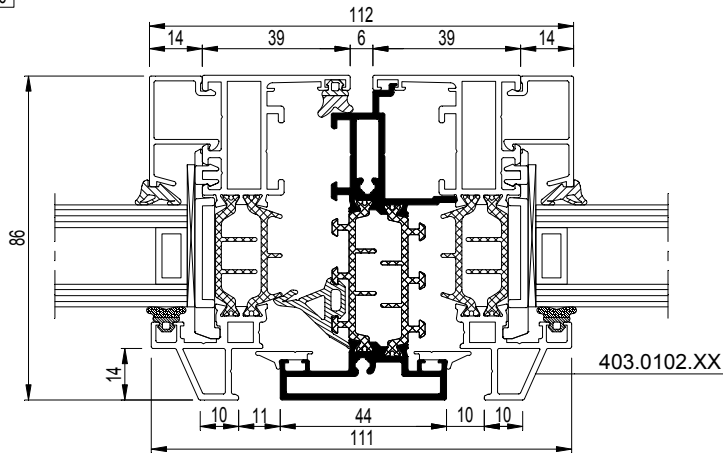
5



FERRO

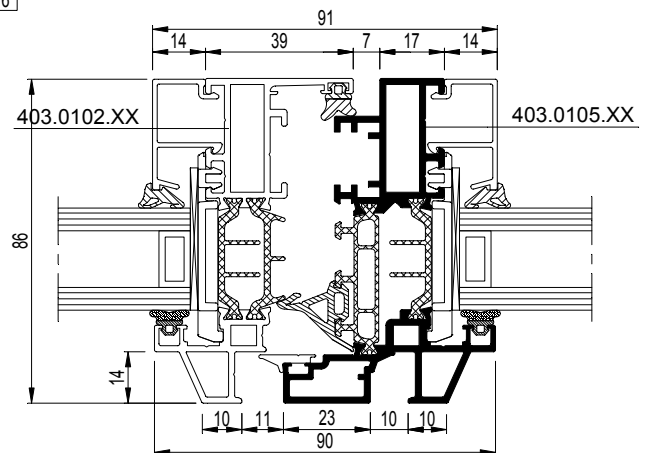
SL38-005006.dxf
SL38-005006.dwg

6

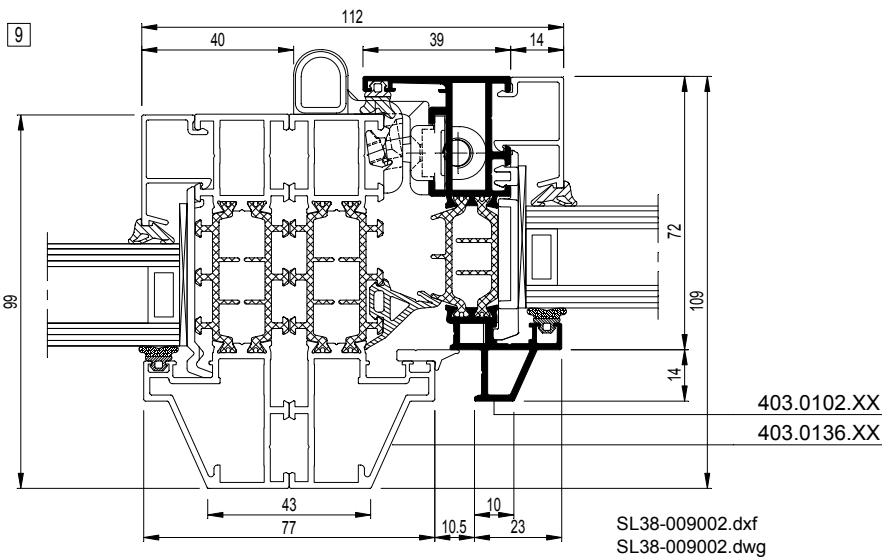
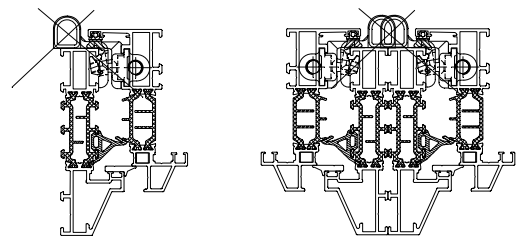
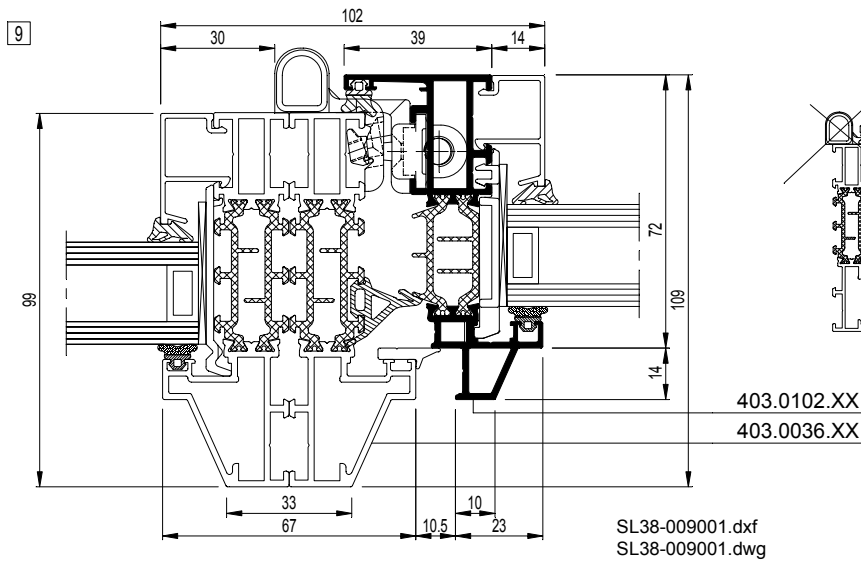
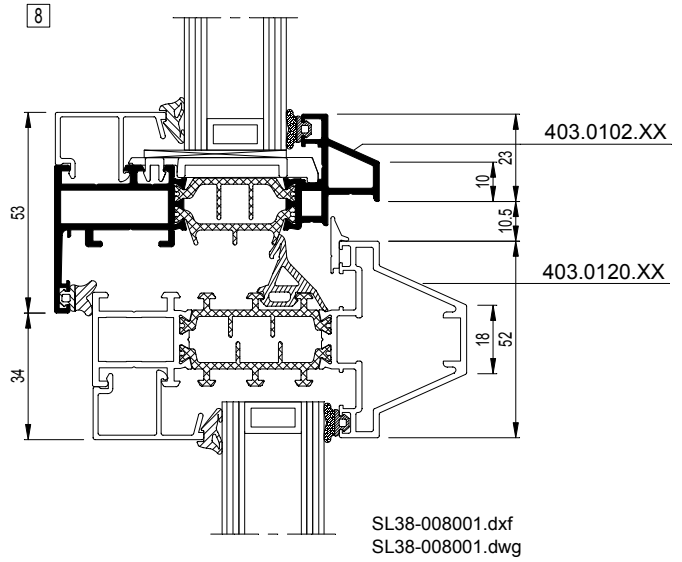
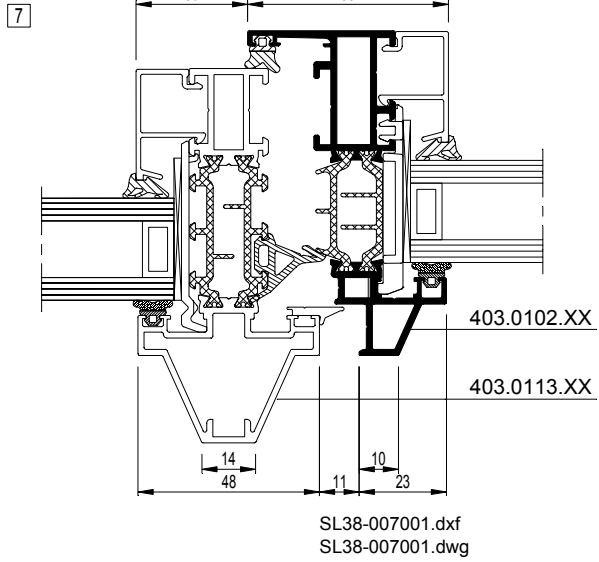
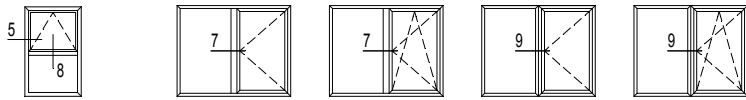


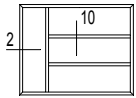
SL38-006001.dxf
SL38-006001.dwg

6

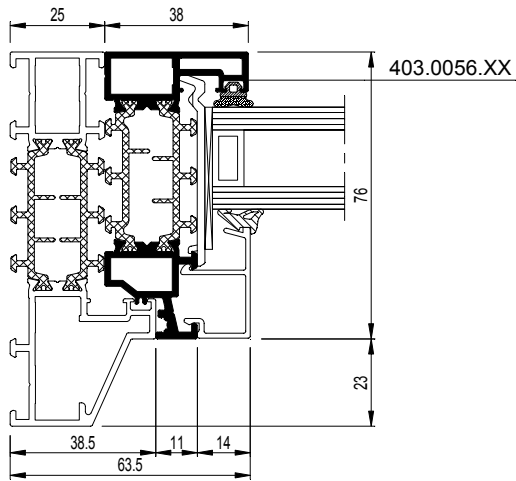


SL38-006002.dxf
SL38-006002.dwg

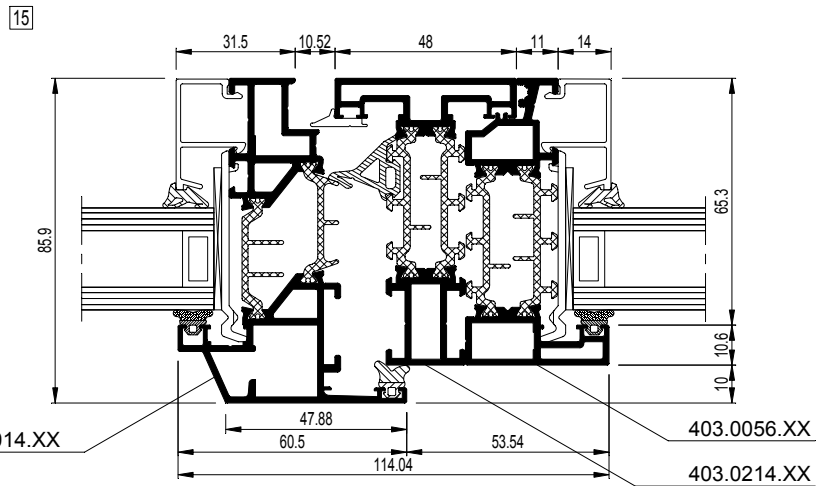
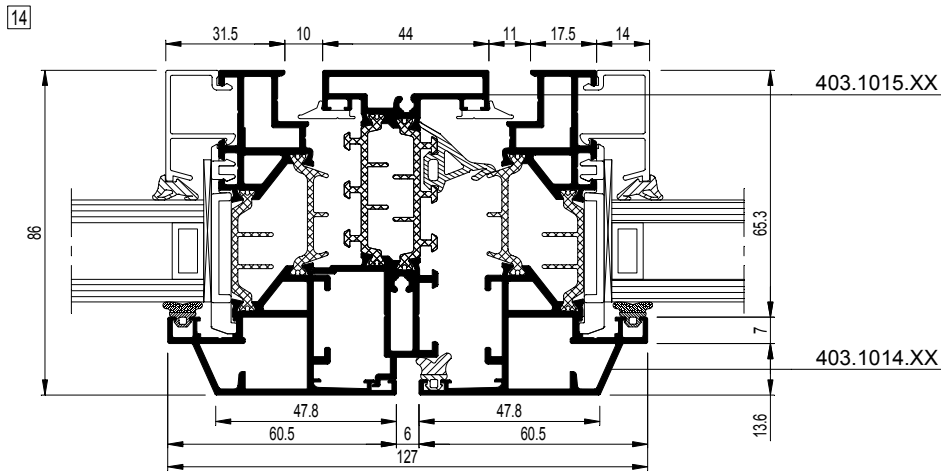
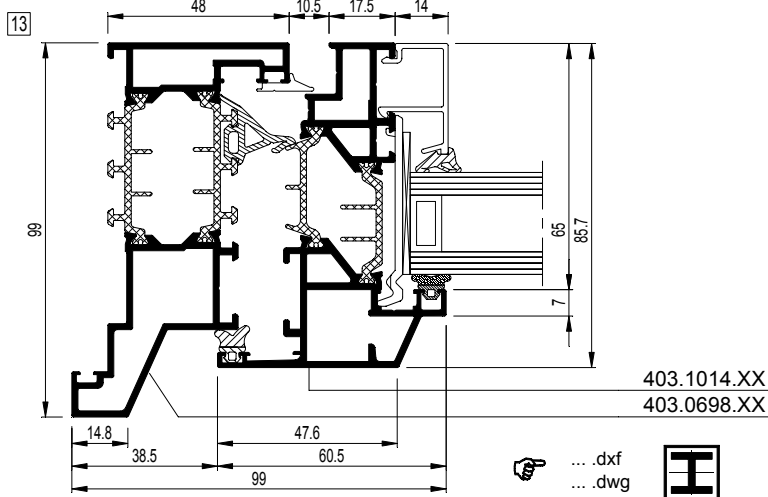
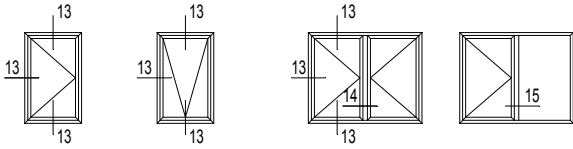


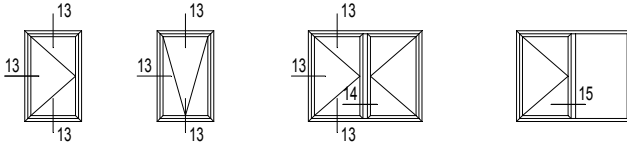


10



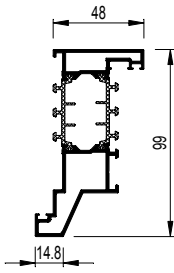
SL38-010001.dxf
SL38-010001.dwg





403.0698.XX

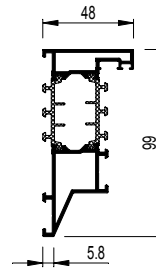
$I_x = 39.029 \text{ cm}^4$



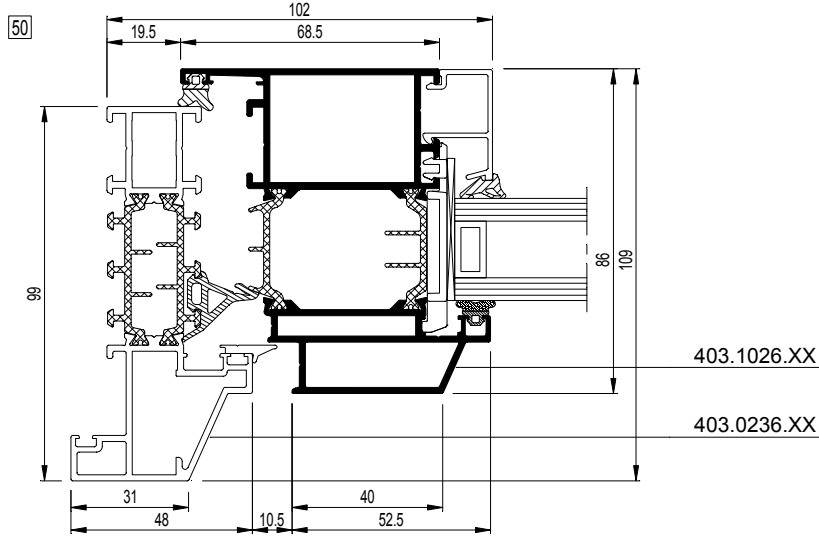
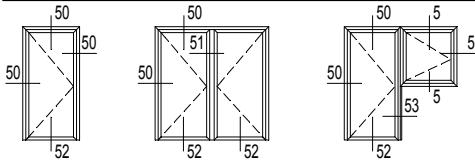
13 SL38-013001.dxf
 SL38-013001.dwg

403.0598.XX

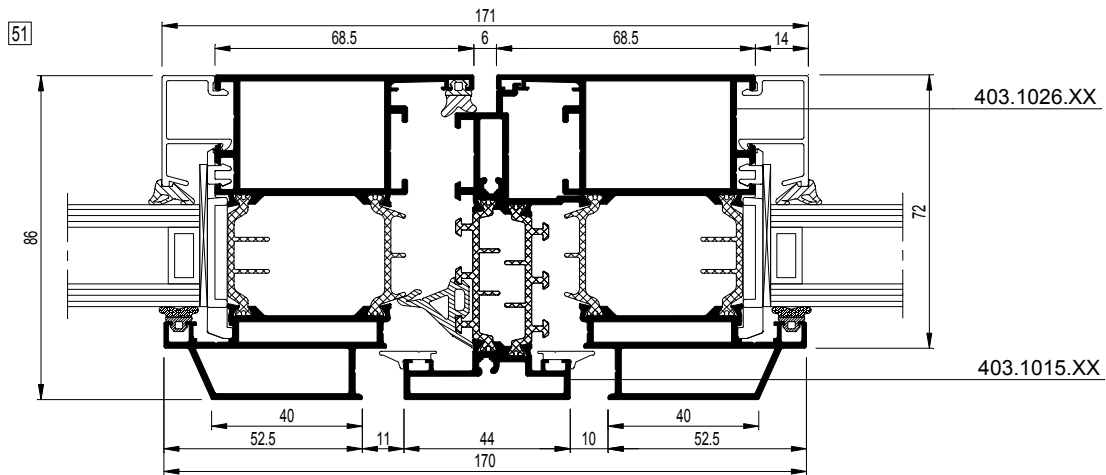
$I_x = 33.148 \text{ cm}^4$



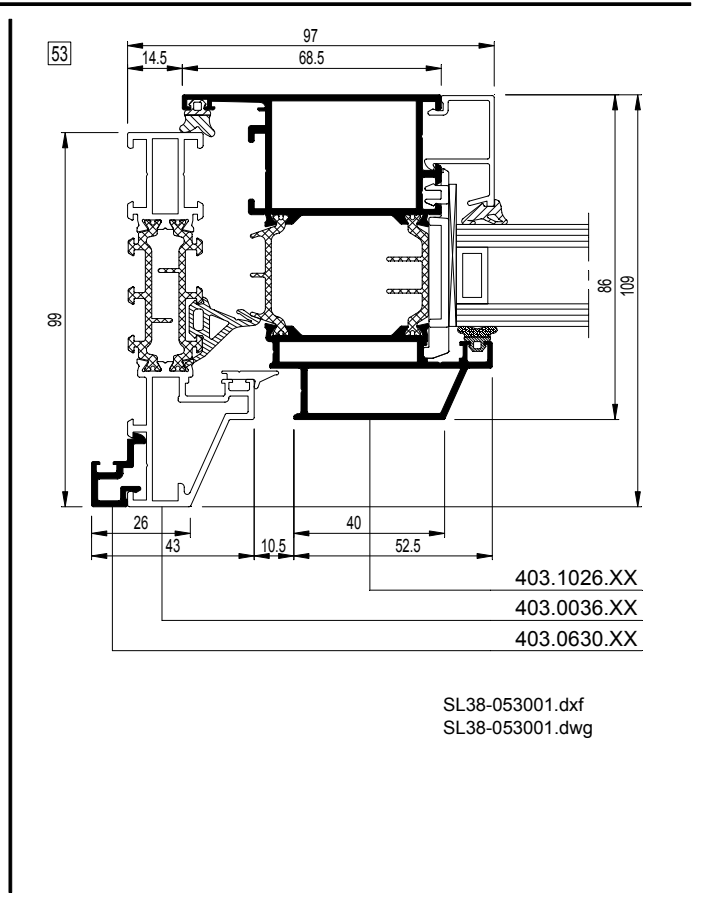
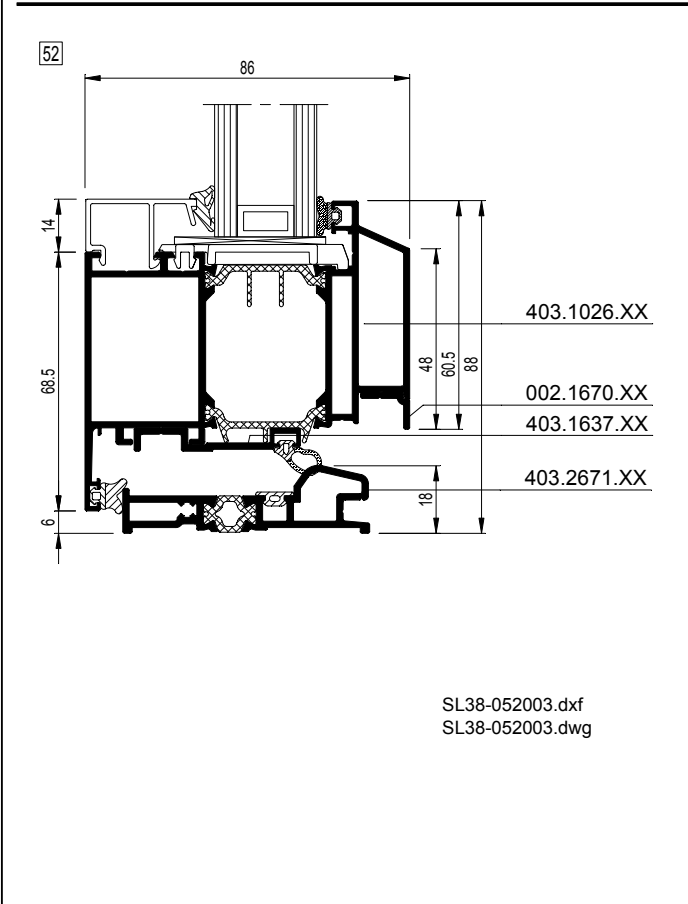
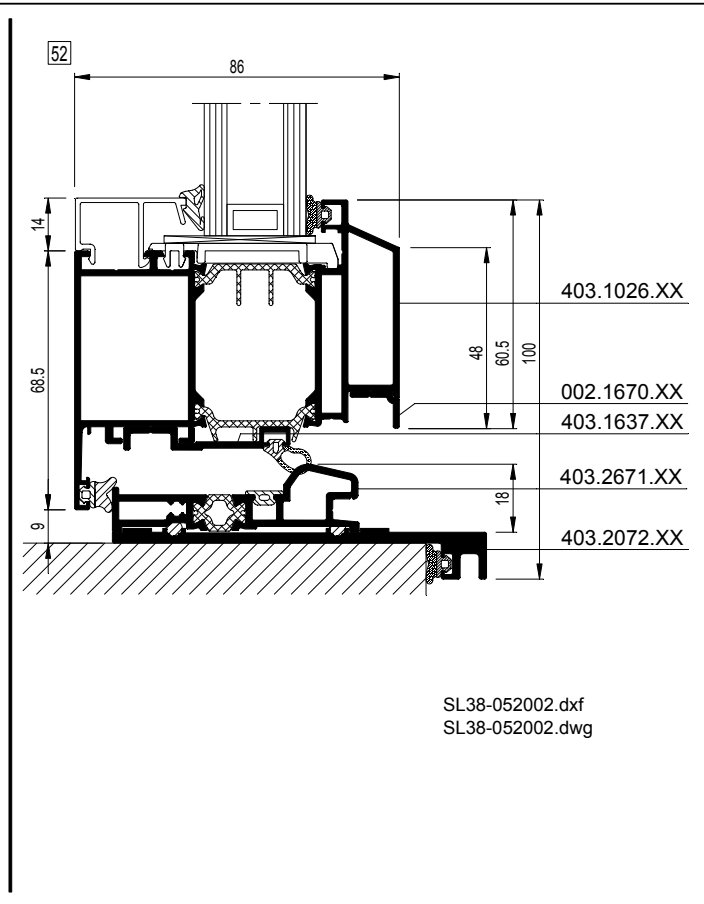
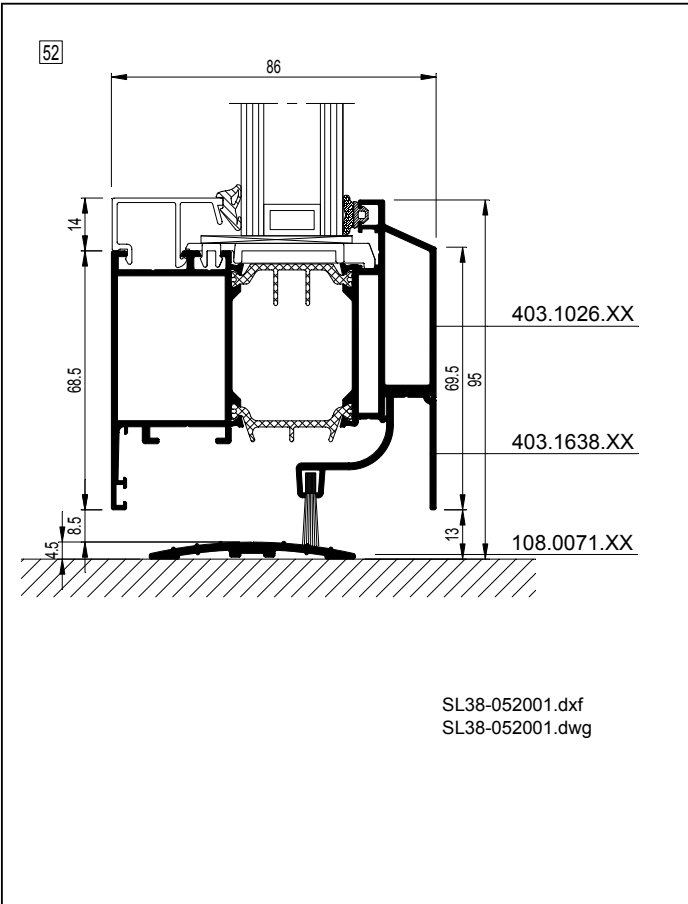
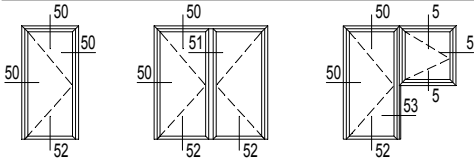
13 SL38-013002.dxf
 SL38-013002.dwg

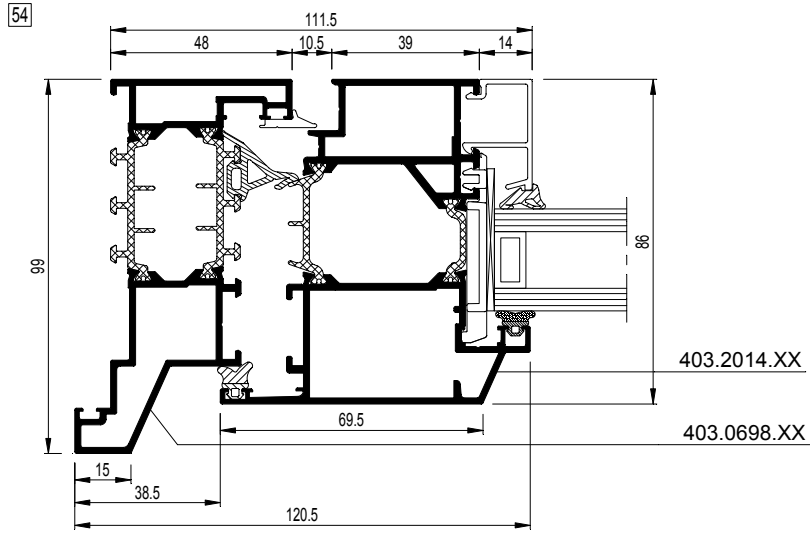
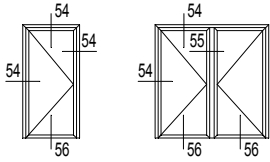


SL38-050001.dxf
 SL38-050001.dwg

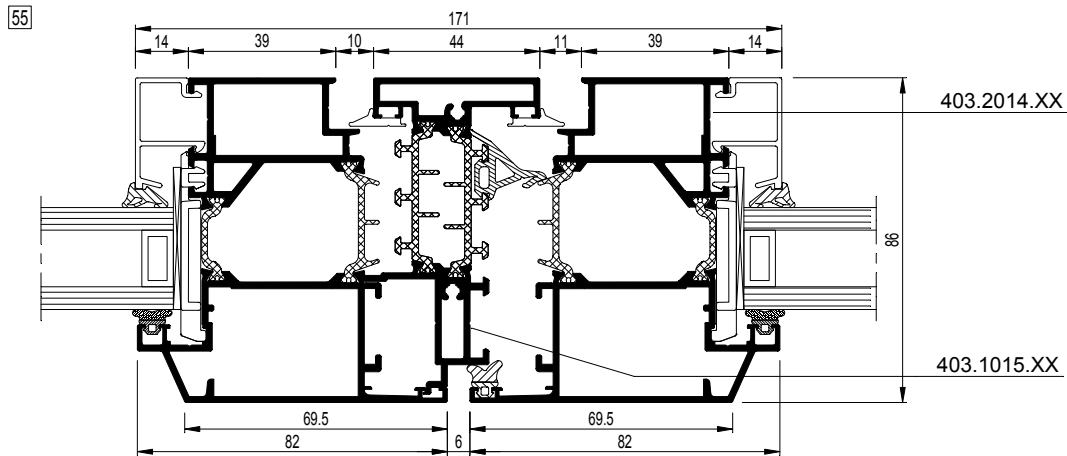


SL38-051001.dxf
 SL38-051001.dwg

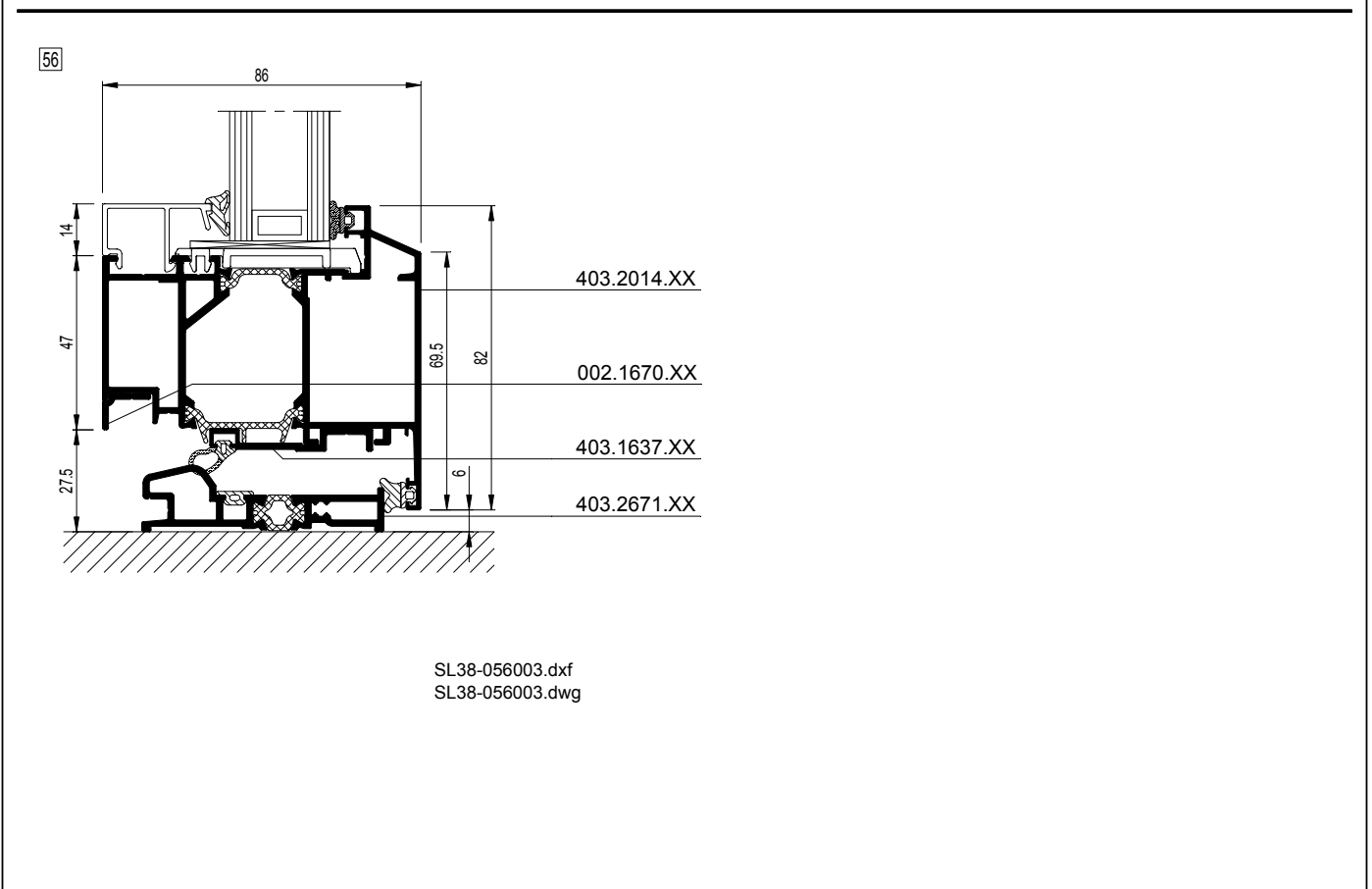
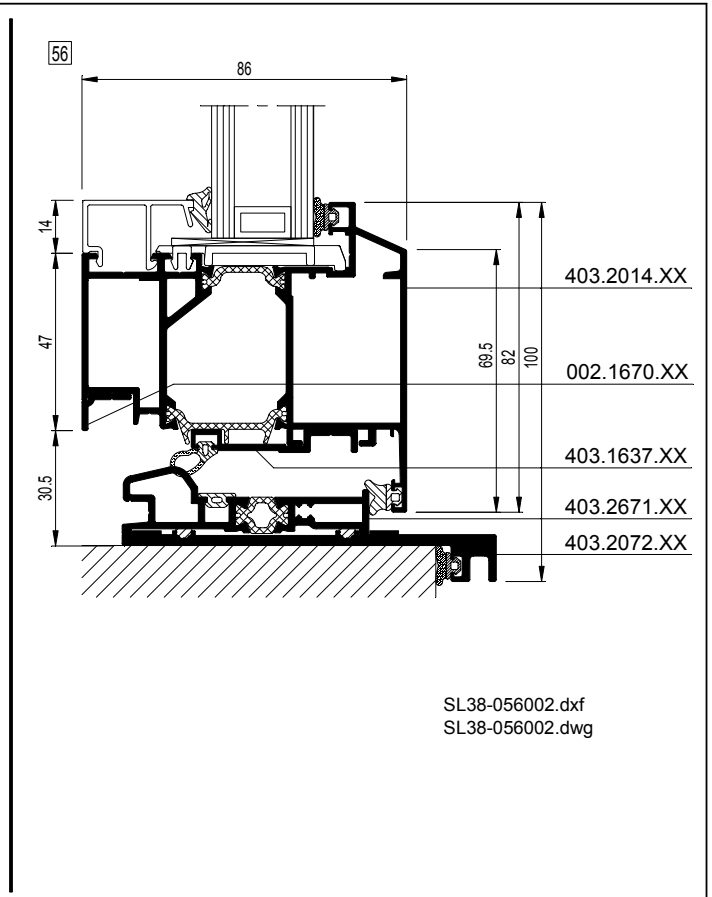
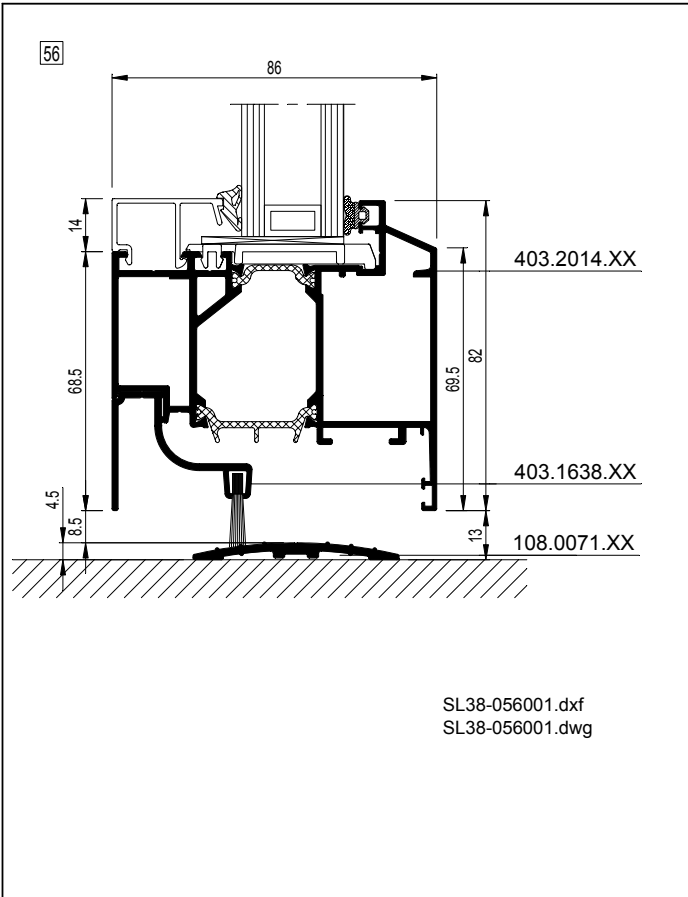
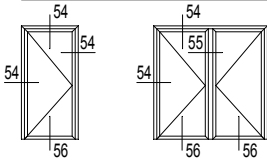


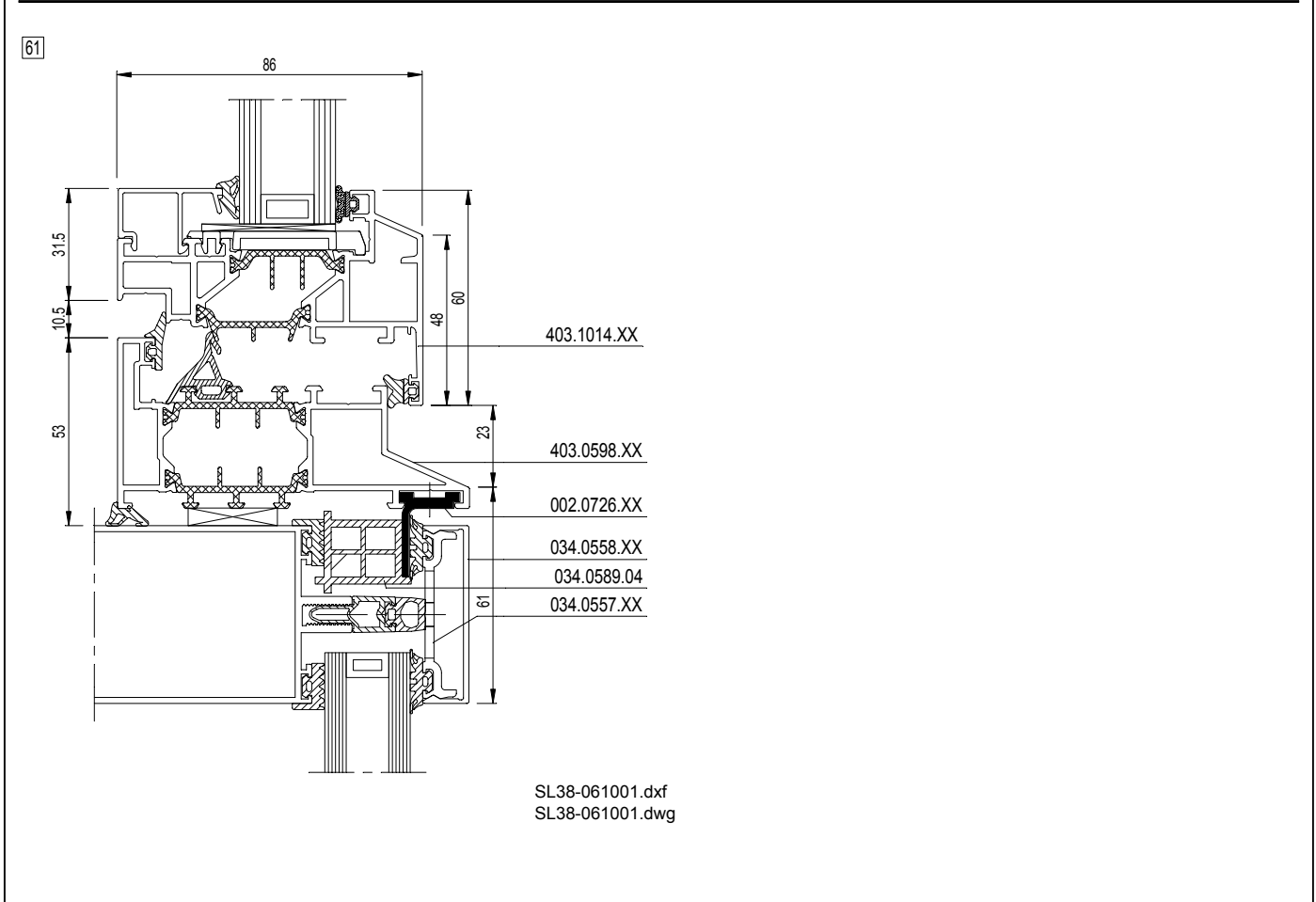
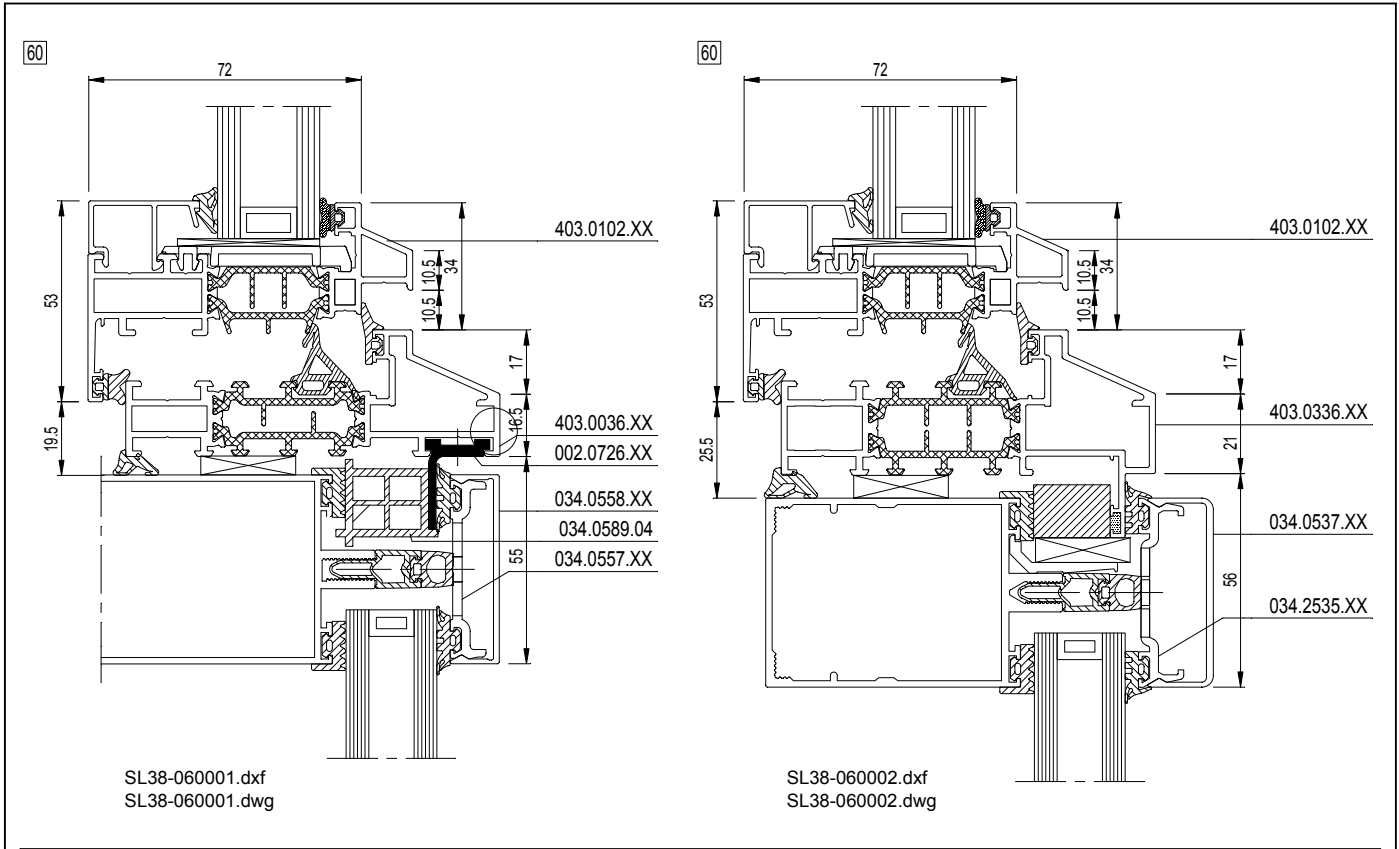
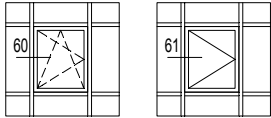


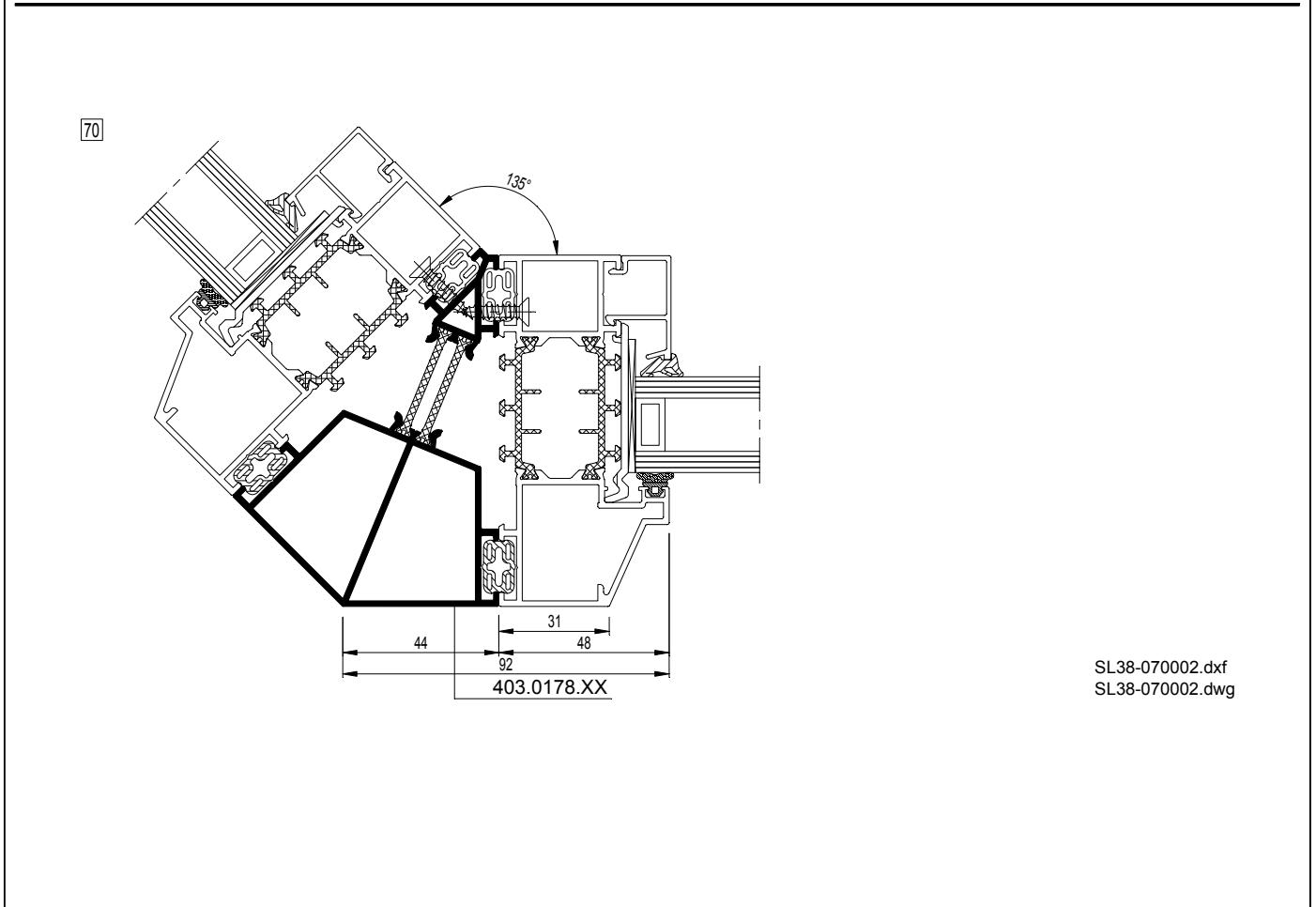
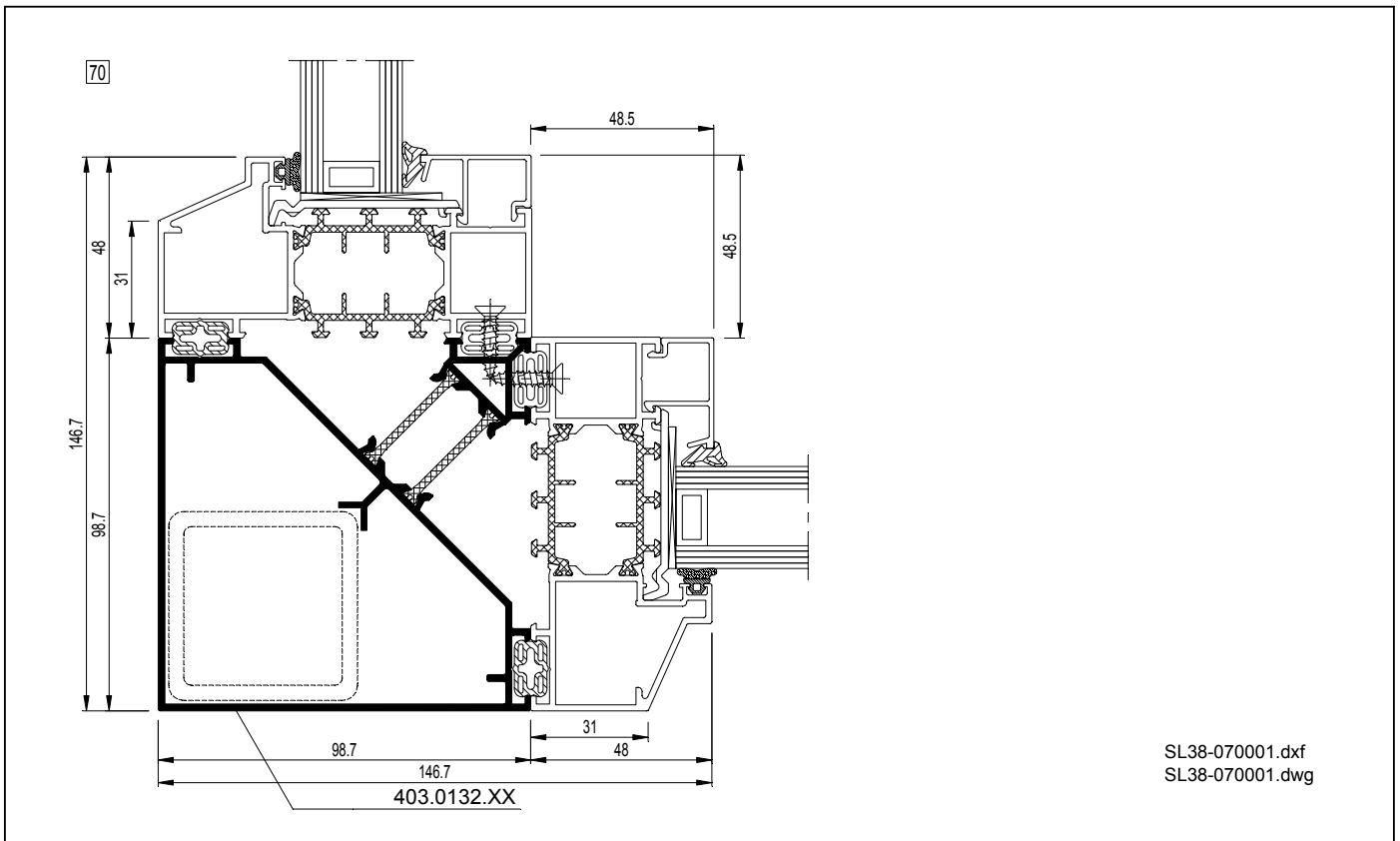
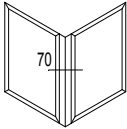
SL38-054001.dxf
 SL38-054001.dwg

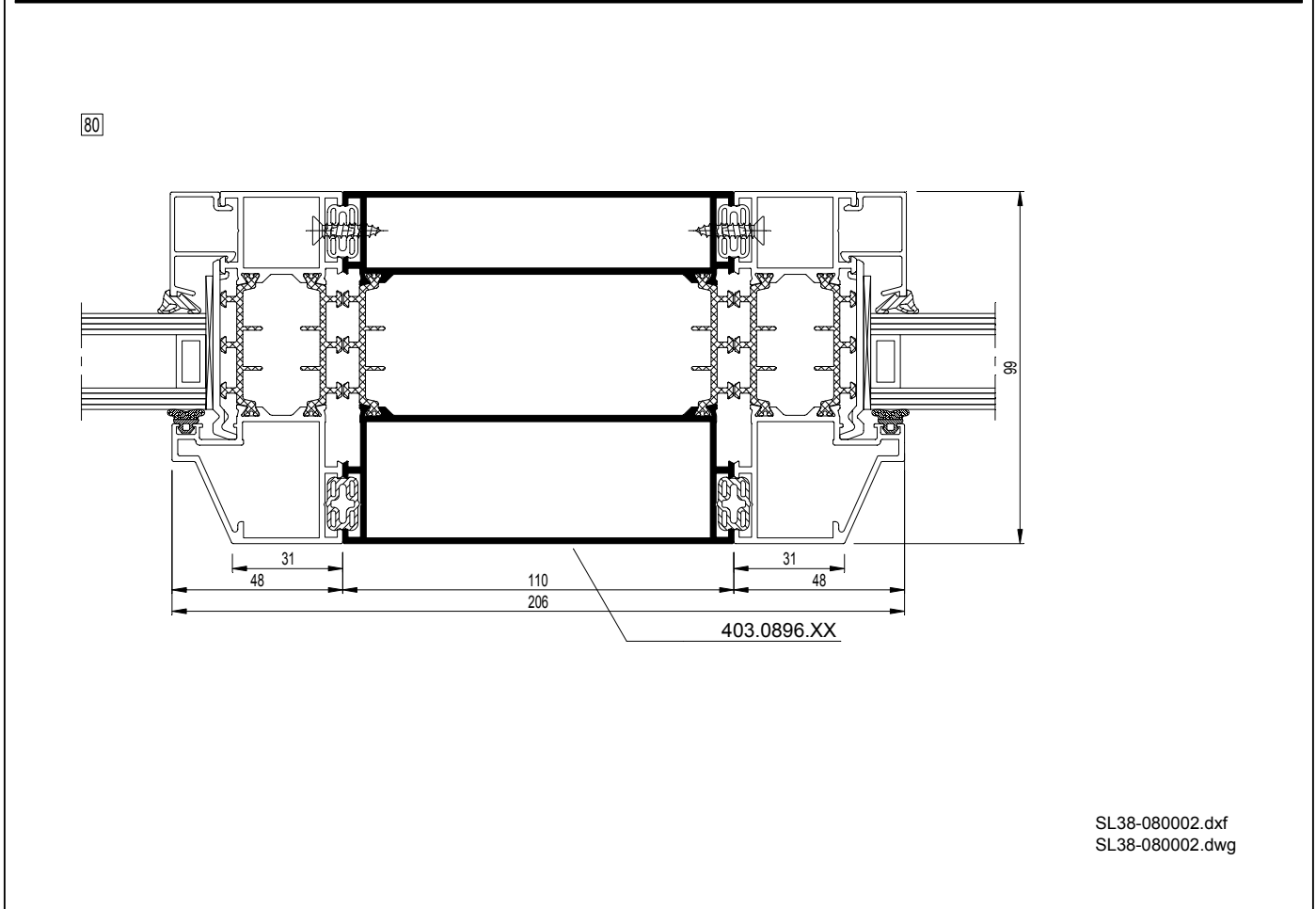
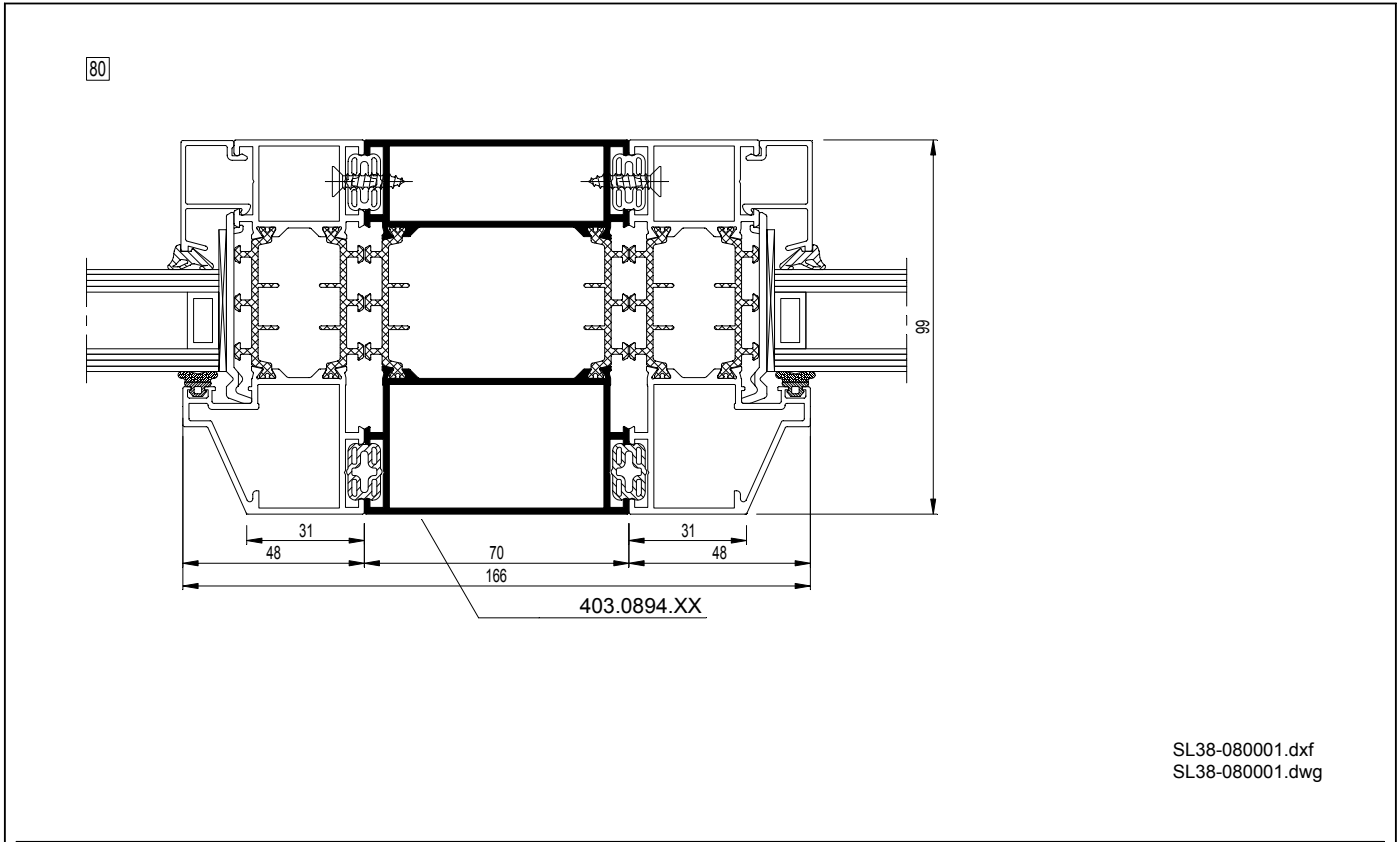
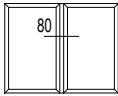


SL38-055001.dxf
 SL38-055001.dwg











www.reynaers.com